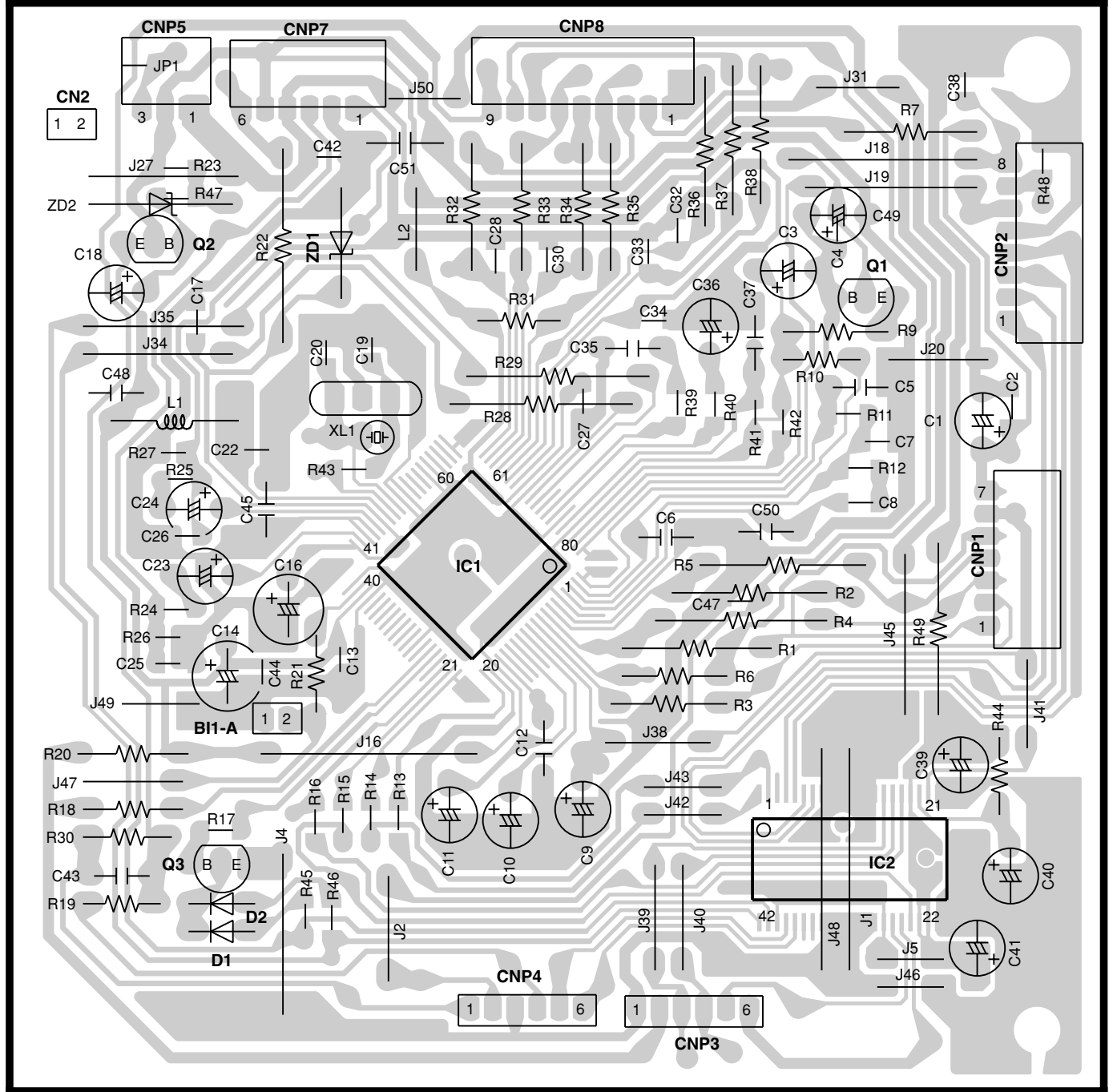
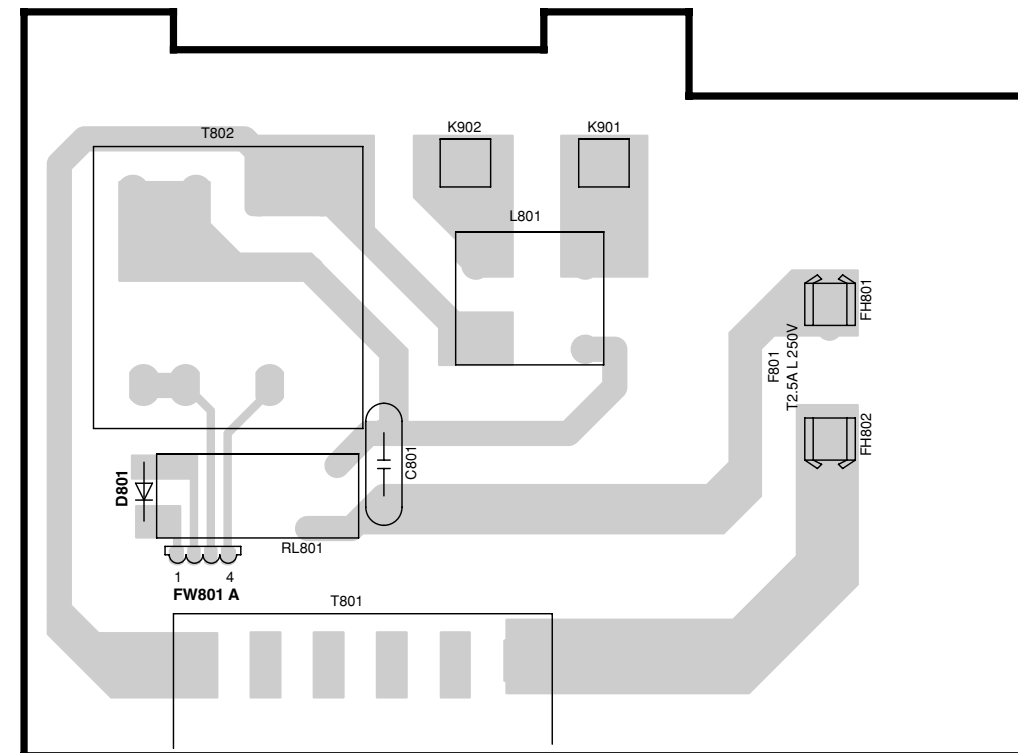
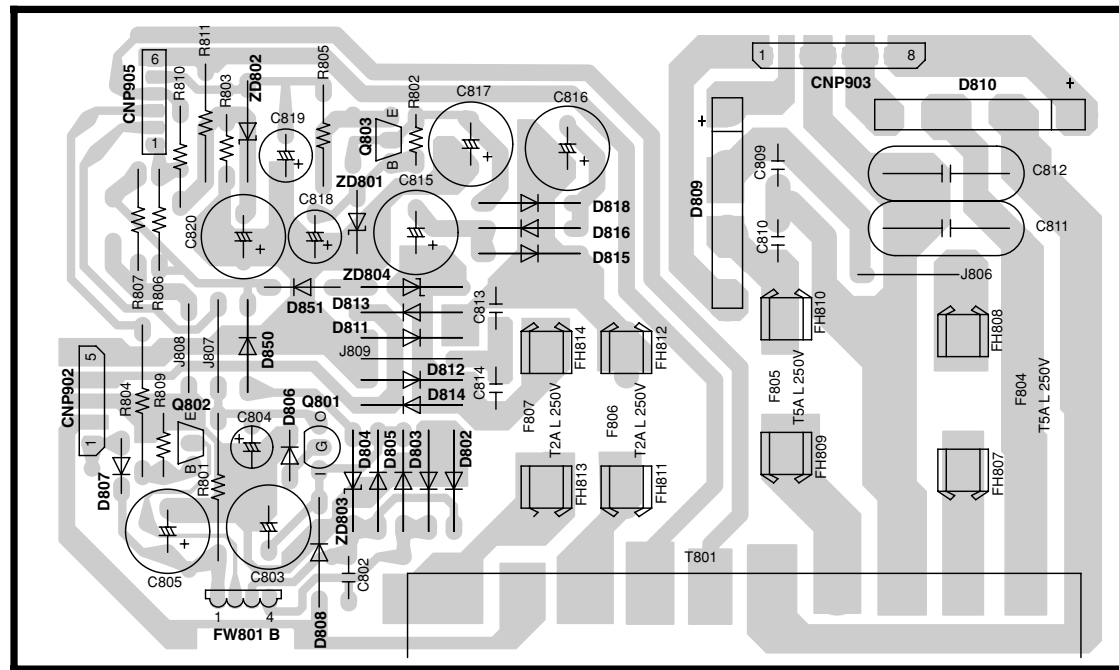
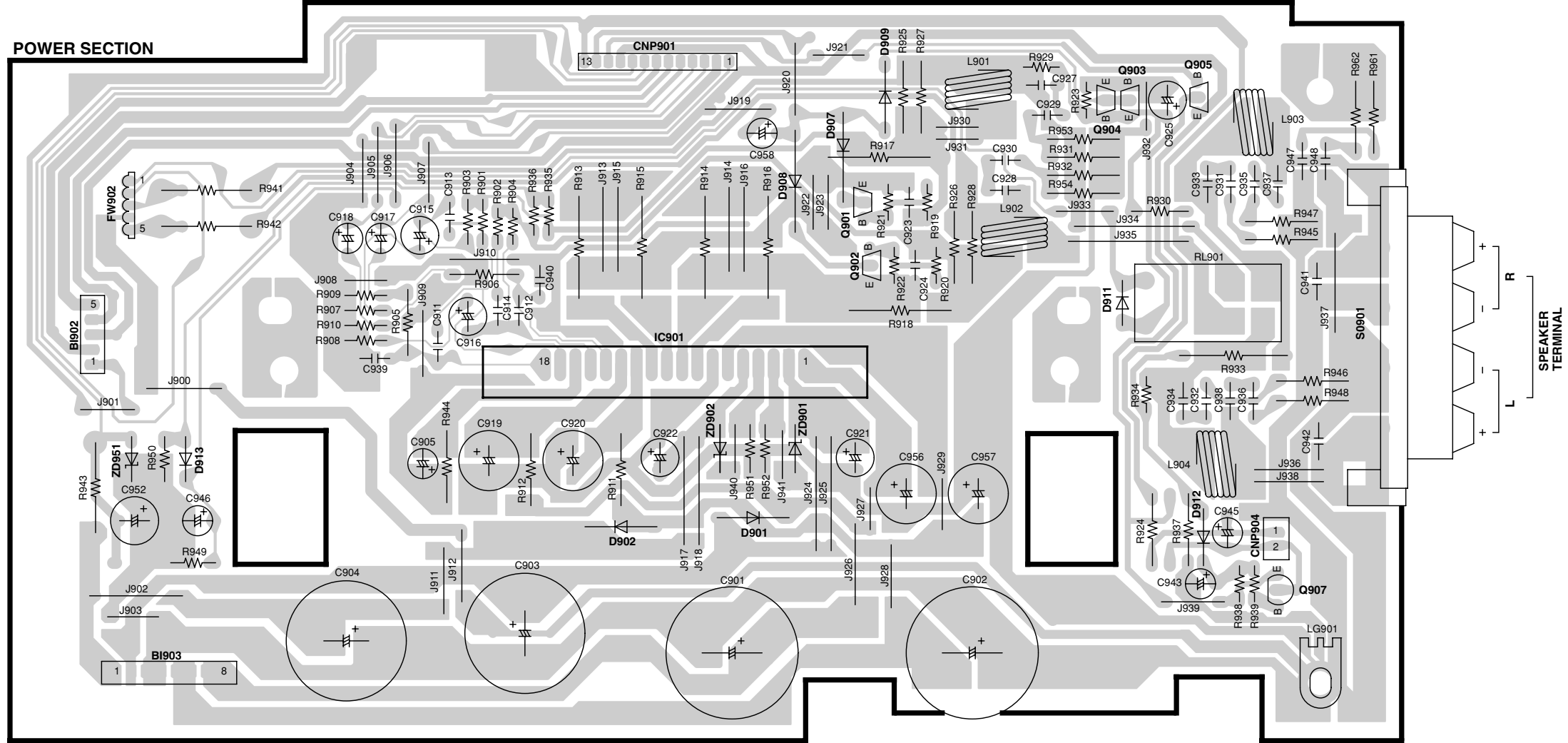


PC BOARD (Component side view)

CD SECTION

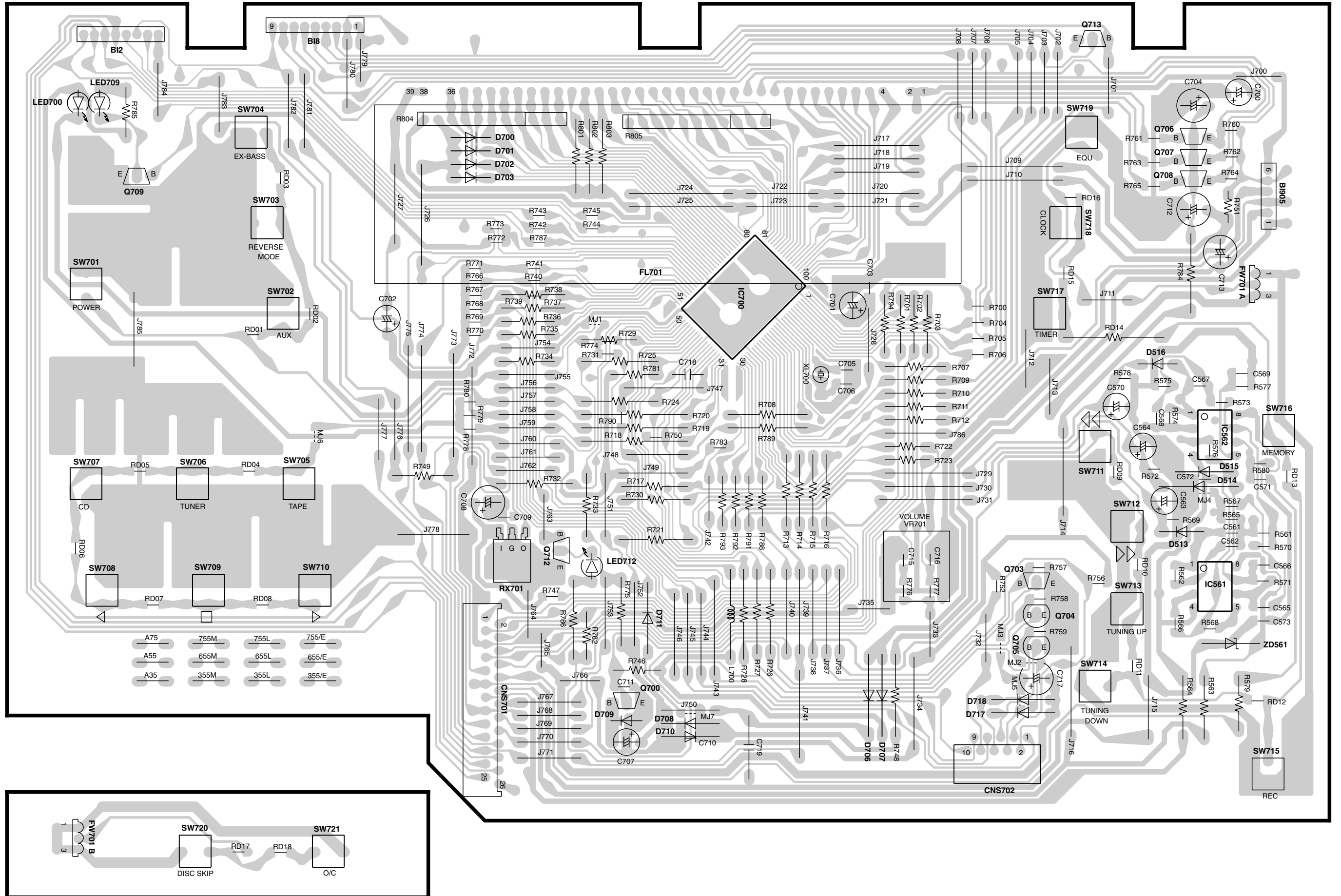


PC BOARD(Component side view)

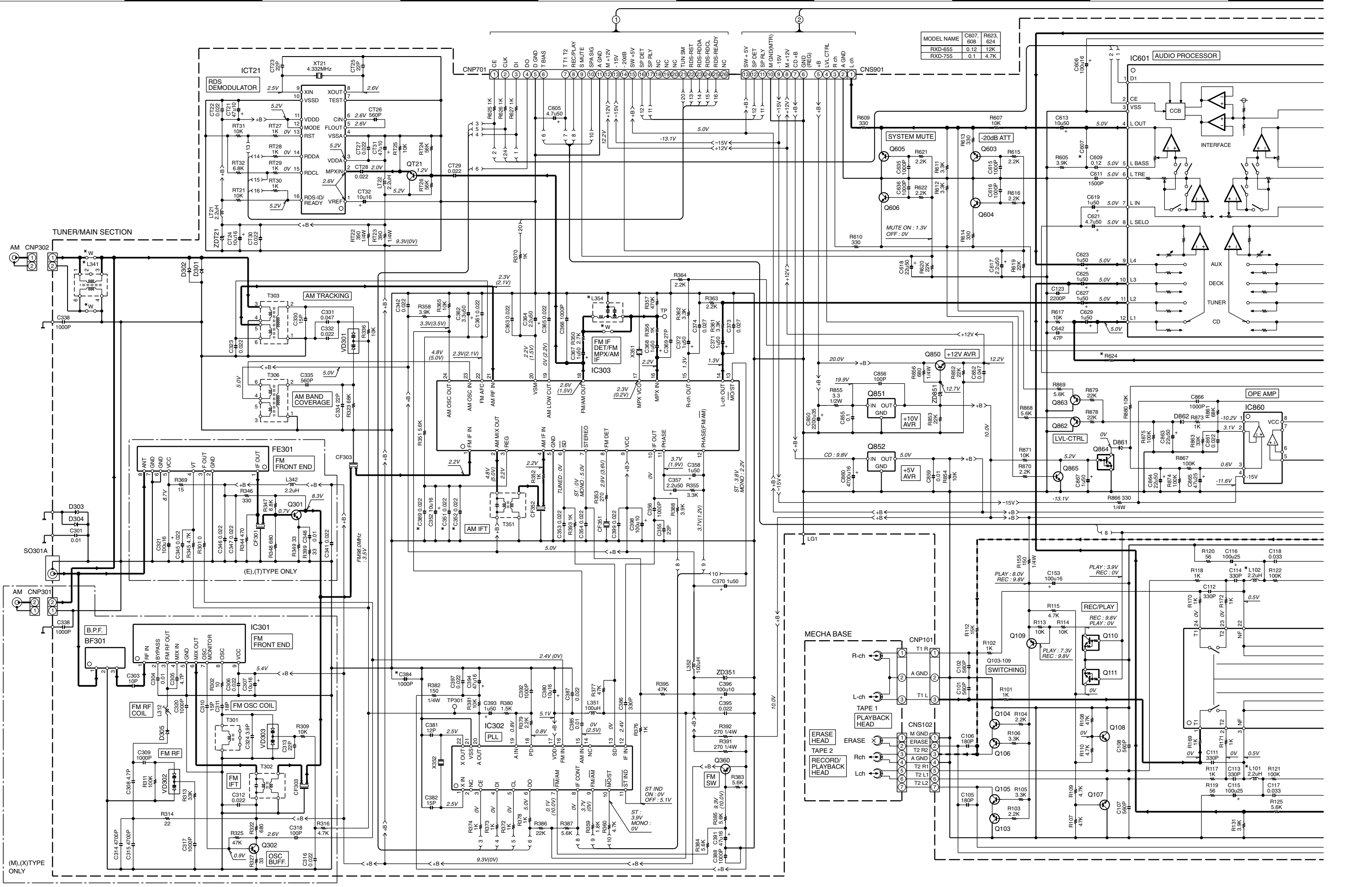


PC BOARD (Component side view)

DISPLAY SECTION



Refer to the schematic diagram for the value of resistors and capacitors.



MODEL NAME	C607, 608	R623, 624
RXD-655	0.12	12K
RXD-755	0.1	4.7K

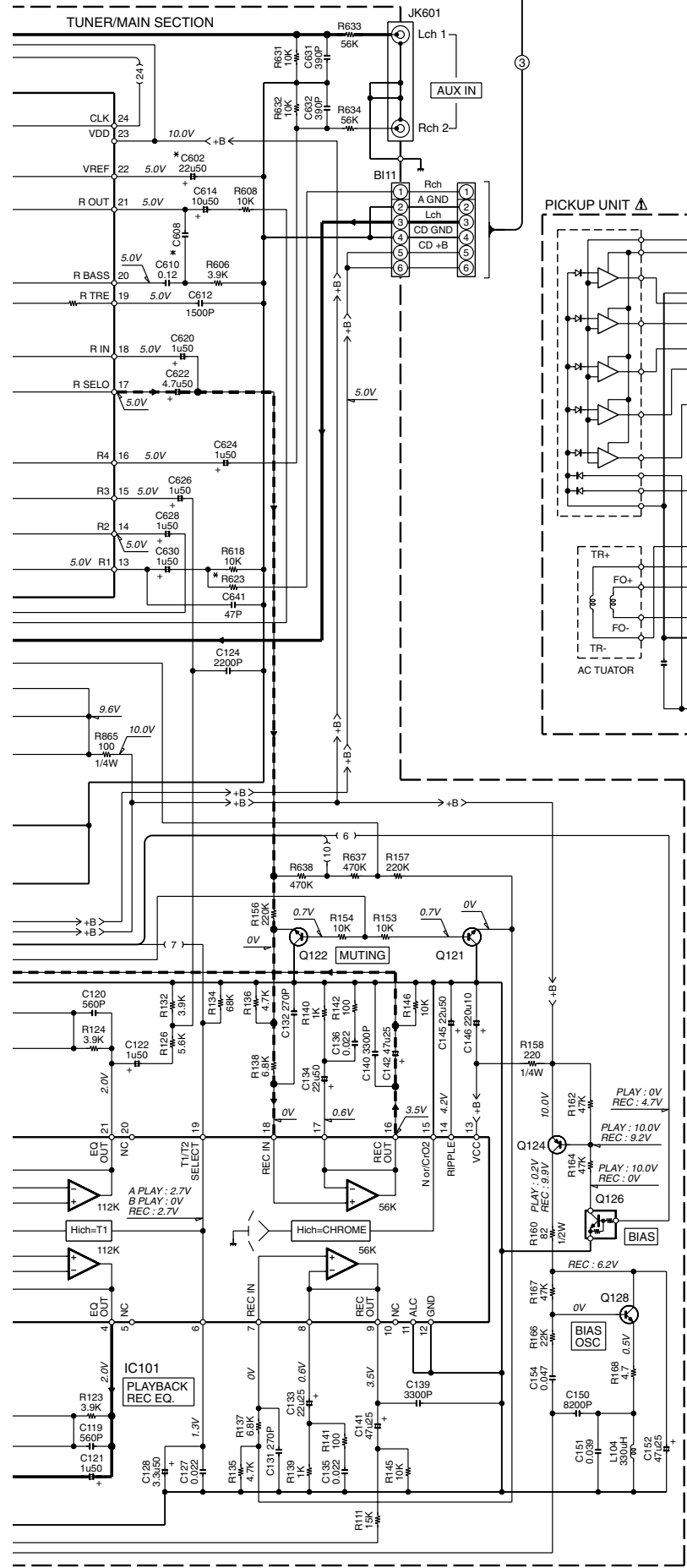
TUNER/MAIN SECTION

MECHA BASE

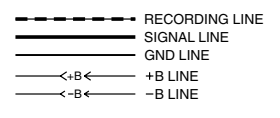
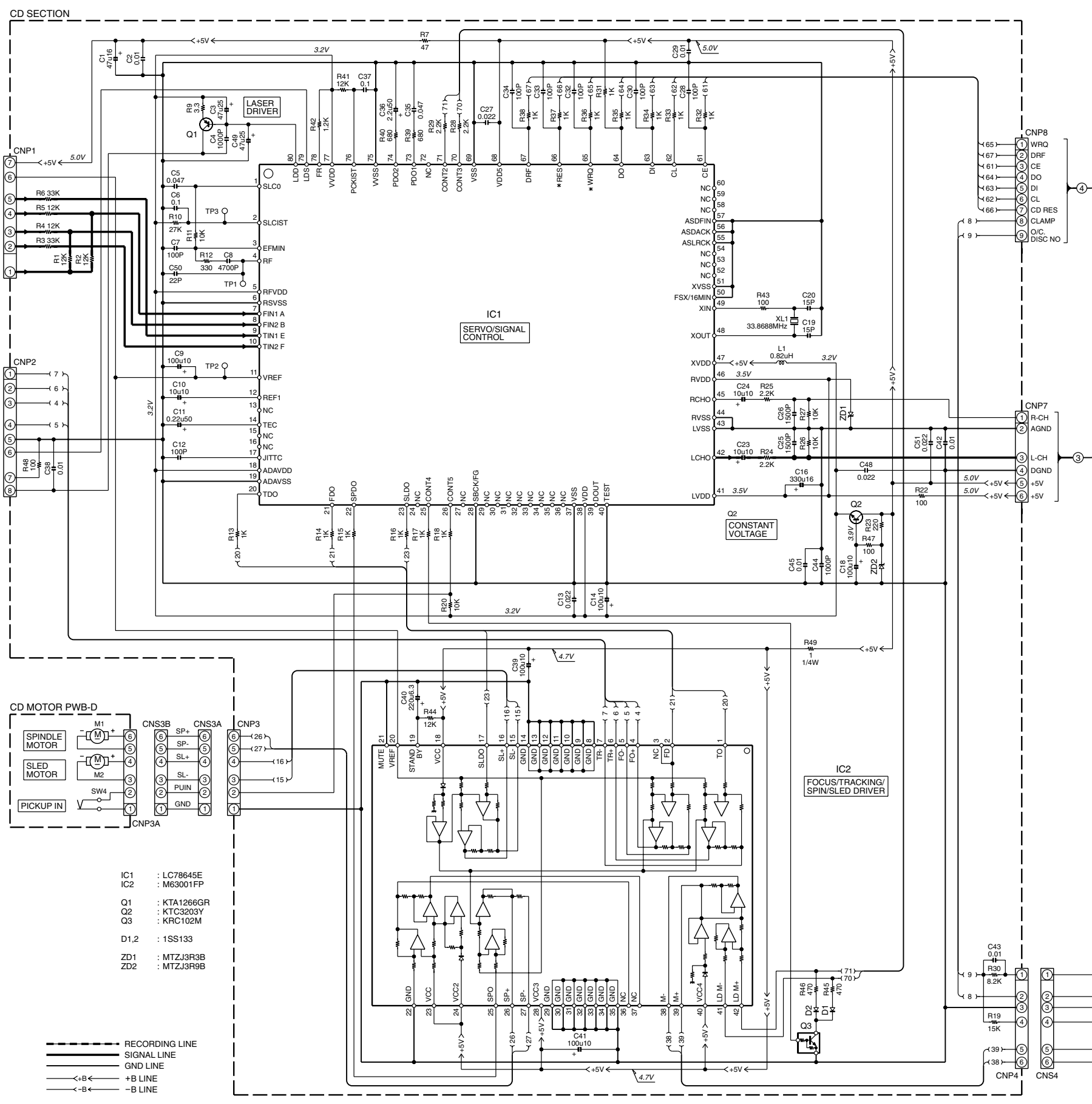
AUDIO PROCESSOR

(M),(X)TYPE ONLY

7

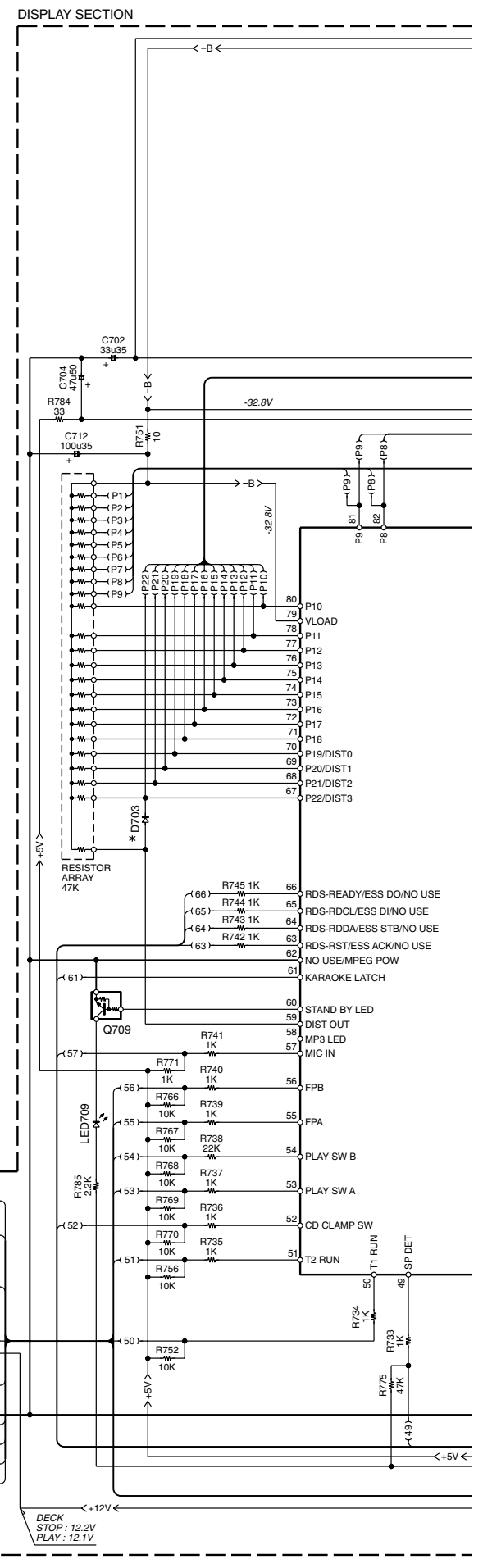


- IC101 : AN7345K
- IC301 : TA7358AP
- IC302 : LC72131
- IC303 : LA1832S
- IC601 : LC75341
- IC860 : KIA4558P
- IC21 : LC72723M
- Q103-106 : C1845F
- Q107,108,121,122, 603-606,862,863,865 : KTC3199GR
- Q109,360 : KTA1266GR
- Q110,111,126 : KRC104M
- Q124 : A1015GR
- Q128 : KTC3203Y
- Q301 : C380-0
- Q302 : KTC3194Y
- Q850 : KTC2026
- Q851 : KIA7810AP
- Q852 : KIA7805P
- Q864 : KRC102M
- Q21 : KTC3199GR
- D301-305,861,862 : 1SS133
- VD301 : SVC348S-1T
- VD302 : SVC211F
- VD303 : SVC211SPA-C
- ZD351 : MTZJ5R1B
- ZD851 : DZ2R4B
- ZD21 : DZ5RL1BSB



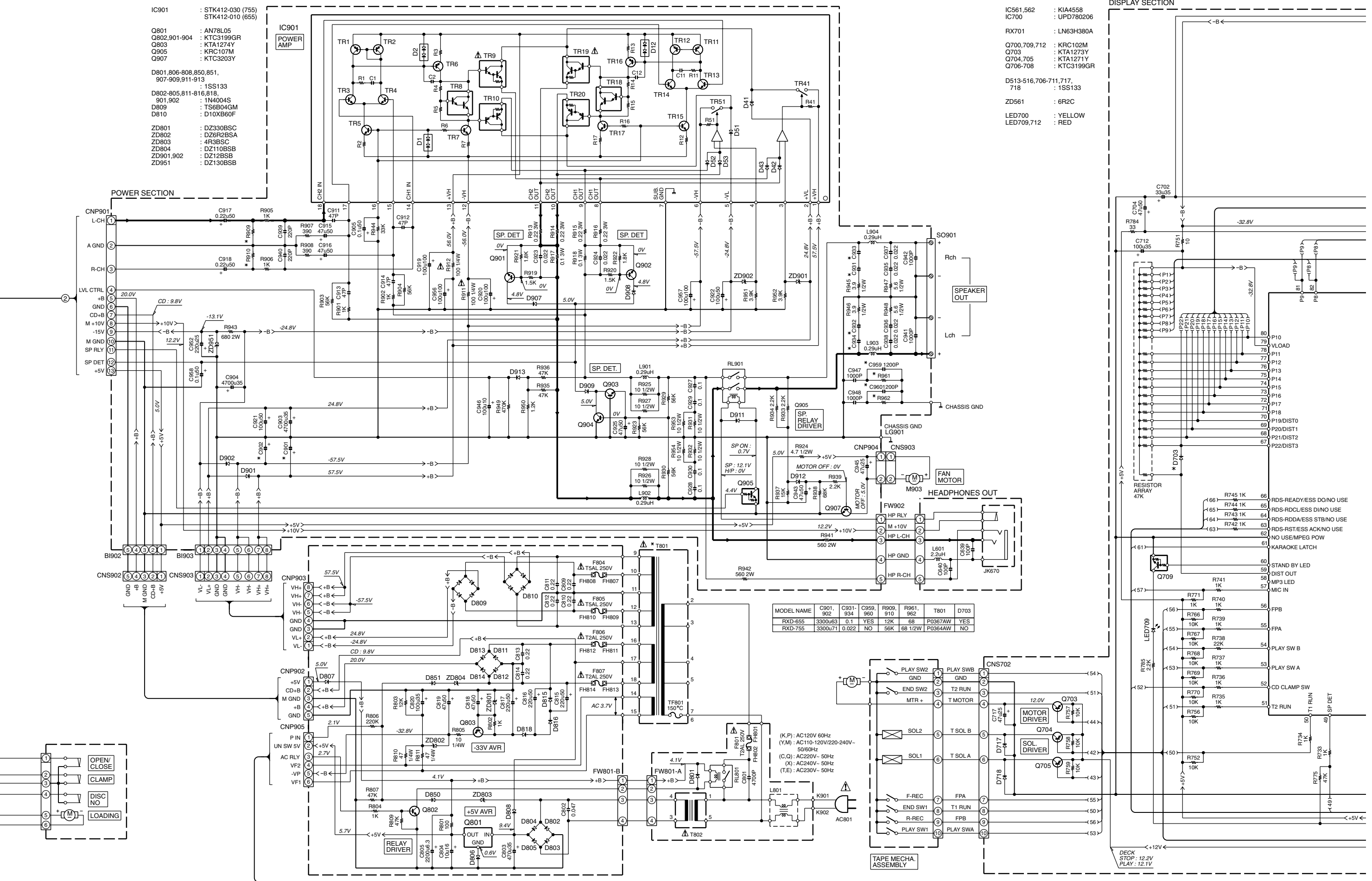
- IC901 : STK412-030 (755)
STK412-010 (655)
- Q801 : AN78L05
Q802,901-904 : KTC3199GR
Q803 : KTA1274Y
Q905 : KRC107M
Q907 : KTC3203Y
- D801,806-808,850,851,
907-909,911-913
: 1SS133
D802-805,811-816,818,
901,902 : 1N4004S
D809 : TS6B04GM
D810 : D10XB60F
- ZD801 : DZ330BSC
ZD802 : DZ6R2B5A
ZD803 : 4R3BSC
ZD804 : DZ110BSB
ZD901,902 : DZ12BSB
ZD951 : DZ130BSB

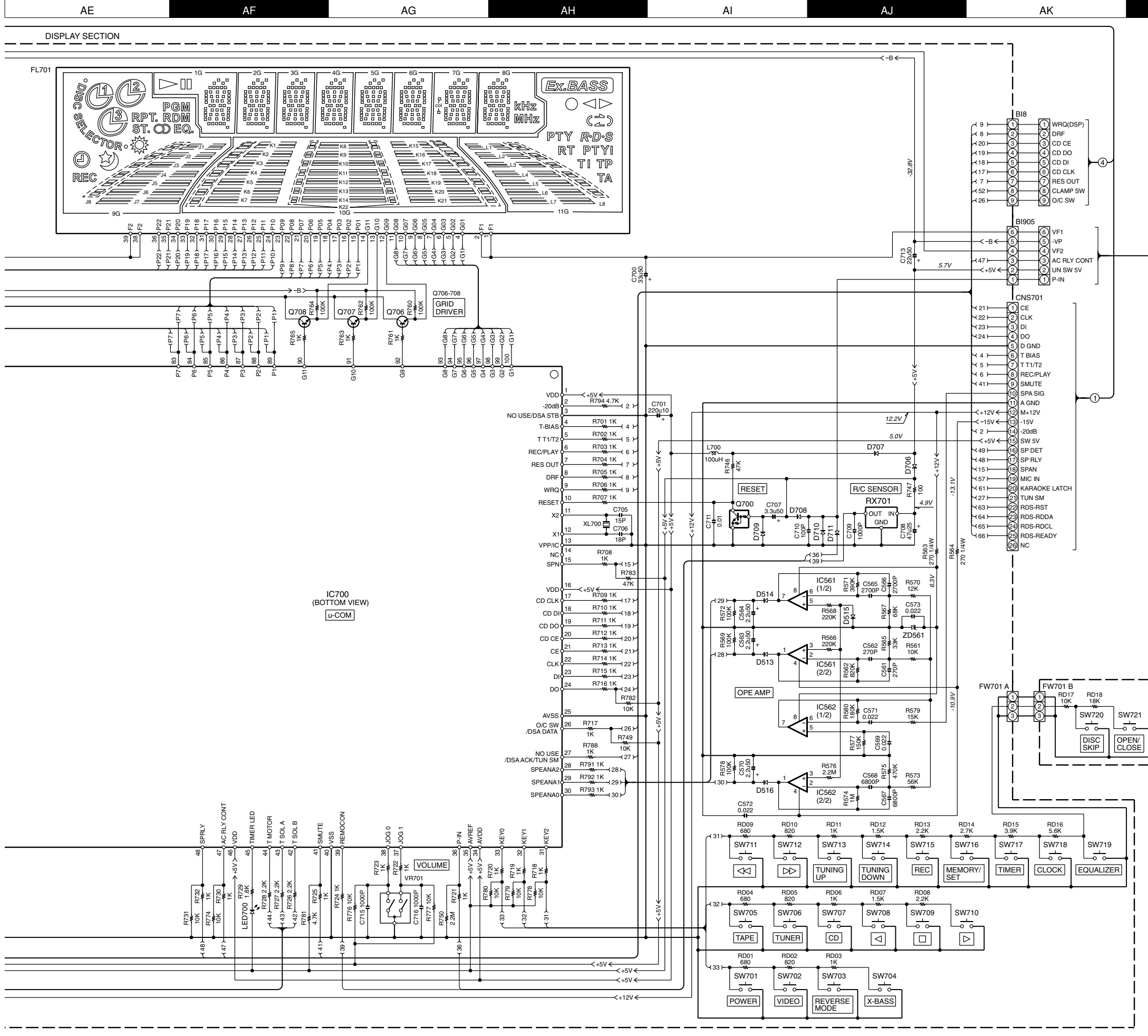
- IC561,562 : KIA4558
IC700 : UPD780206
- RX701 : LN63H380A
- Q700,709,712 : KRC102M
Q703 : KTA1273Y
Q704,705 : KTA1271Y
Q706-708 : KTC3199GR
- D513-516,706-711,717,
718 : 1SS133
- ZD561 : 6R2C
- LED700 : YELLOW
LED709,712 : RED



MODEL NAME	C901, 902	C931, 934	C959, 960	R909, 910	R961, 962	T801	D703
RXD-655	3300u63	0.1	YES	12K	68	P0367AW	YES
RXD-755	3300u71	0.022	NO	56K	68 1/2W	P0364AW	NO

(K,P): AC120V 60Hz
(Y,M): AC110-120V/220-240V-50/60Hz
(C,Q): AC220V-50Hz
(X): AC240V-50Hz
(T,E): AC230V-50Hz





CAUTION: For continued safety, replace safety critical components only with manufacturer's recommended parts (refer to parts list). Δ indicates safety critical components. For continued protection against risk of fire, replace only with same type and rating fuse(s). To reduce the risk of electric shock, leakage-current or resistance measurements shall be carried out (exposed parts are acceptably insulated from the supply circuit) before the appliance is returned to the customer.

The DC voltage is an actual reading measured with a high impedance type voltmeter as the AM/FM signal generator is specified to the conditions as shown in the list below. The measurement value may vary depending on the measuring instruments used or on the product. The value shown in () is actual reading measured in the AM mode.

MODE	CARRIER	MODULATION		ANT INPUT
		FREQUENCY	DEVIATION	
FM	98MHz	1kHz	STEREO 67.5kHz 7.5kHz(Pilot)	60dB
AM	1000(999)kHz	400Hz	MONO 30% MOD	60dB

DOLBY and the double-D symbol are trademarks of Dolby Laboratories Licensing Corporation. Noise reduction circuit made under license from Dolby Laboratories Licensing Corporation.

RXD-755/655

RXD-655/755

Y39-4002-70

KENWOOD

* New Parts

Parts without **Parts No.** are not supplied.

Les articles non mentionnés dans le **Parts No.** ne sont pas fournis.

Teile ohne **Parts No.** werden nicht geliefert.

①

Ref. No	Add-ress	New Parts	Parts No.	Description	Desti-nation	Re-marks
RXD-655/755						
601	1C	*	A02-3014-08	CABINET(TOP)	GCAB-1195AWSA	
602	1C	*	A02-3015-08	CABINET(R)	GITAS0092AWSA	
603	1C	*	A02-3016-08	CABINET(L)	GITAS0075AWSA	
607	2C	*	A21-3957-08	DRESS RING(KNOB)	HDECQ0703AWSA	
608	2C	*	A21-3958-08	CASSETTE LID(L)	GCOVA1365AWSA	
609	2C	*	A21-3959-08	CASSETTE LID(R)	GCOVA1366AWSA	
610	2C	*	A53-2251-08	CASS HOLDER(L)	GDORF0104AWSA	
611	2C	*	A53-2252-08	CASS HOLDER(R)	GDORF0105AWSA	
612	2C	*	A53-2254-08	FG(CAS L)	HDECQ0700AWSA	ETE2 1567
612	2C	*	A53-2254-08	FG(CAS L)	HDECQ0700AWSA	MXM3M5 1567
612	2C	*	A53-2280-08	FG(CAS L)	HDECQ0700AWSC	ETE2 2
612	2C	*	A53-2282-08	FG(CAS L)	HDECQ0700AWSB	EE2M 34
613	2C	*	A53-2255-08	FG(CAS R)	HDECQ0701AWSA	ETE2 1567
613	2C	*	A53-2255-08	FG(CAS R)	HDECQ0701AWSA	MXM3M5 1567
613	2C	*	A53-2281-08	FG(CAS R)	HDECQ0701AWSC	ETE2 2
613	2C	*	A53-2283-08	FG(CAS R)	HDECQ0701AWSB	EE2M 34
614	2C	*	A60-2090-08	PANEL(CD)	GCOVA1376AWSA	
615	2D	*	A60-XXXX-08	PANEL ASSY	CAB3570AASY1	ETE2 6
615	2D	*	A60-XXXX-08	PANEL ASSY	CAB3571AASY1	MXM3M5 7
615	2D	*	A60-XXXX-08	PANEL ASSY	CAB3578AASY1	MXM3M5 5
615	2D	*	A60-XXXX-08	PANEL ASSY	CAB3593AASY1	M 4
615	2D	*	A60-2121-08	PANEL ASSY	CAB3577AASY1	ETE2 1
615	2D	*	A60-2122-08	PANEL ASSY	CAB3589AASY1	ETE2 2
615	2D	*	A60-2123-08	PANEL ASSY	CAB3592AASY1	EE2 3
616	1C	*	A70-1531-08	REMOTE CONTROL	RRMCG0273AWSA	MXM3M5
616	1C	*	A70-1537-08	REMOTE CONTROL	RRMCG0274AWSA	ETE2
620	2C	*	B10-XXXX-08	FRONT GLASS	HDECQXXXXAWSA	EE2 3
620	2C	*	B10-XXXX-08	FRONT GLASS	HDECQXXXXAWSA	ETE2 1
620	2C	*	B10-XXXX-08	FRONT GLASS	HDECQXXXXAWSA	ETE2 6
620	2C	*	B10-XXXX-08	FRONT GLASS	HDECQXXXXAWSA	ETE2 2
620	2C	*	B10-XXXX-08	FRONT GLASS	HDECQXXXXAWSA	M 4
620	2C	*	B10-XXXX-08	FRONT GLASS	HDECQXXXXAWSA	MXM3M5 7
620	2C	*	B10-XXXX-08	FRONT GLASS	HDECQXXXXAWSA	MXM3M5 5
-	-	*	B60-5009-00	INST MANUAL (FR/ES/GE/NE/IT)		E
-	-	*	B60-5010-00	INST MANUAL (EN)		TE2
-	-	*	B60-5011-00	INST MANUAL (RU/PL/CZ/HU)		E2
-	-	*	B60-5012-00	INST MANUAL (FR/GE/NE/IT)		E
-	-	*	B60-5013-00	INST MANUAL (ES)		EM3M5
-	-	*	B60-5014-00	INST MANUAL (EN)		MXM3M5
-	-	*	B60-5014-00	INST MANUAL (EN)		TE2
-	-	*	B60-5015-00	INST MANUAL (RU/PL/CZ/HU)		E2
-	-	*	B60-5047-00	INST MANUAL (TC/AR)		M
624	2C,2E	*	D39-0355-08	DAMPER	MLIFP0008AWZZ	
BM	2D	*	D16-0780-08	MAIN BELT	FF19N-11	
BS1	2D	*	D16-0782-08	SUB BELT	FF19S-51	
BS2	2D	*	D16-0781-08	SUB BELT	FF19S-12	
PF	2D	*	D14-0821-08	PINCH ASSY	F514-134	
PR1	2D	*	D14-0822-08	PINCH ASSY	F514-135	
PR2	2D	*	D14-0820-08	PINCH ASSY	F514-133	
RPEH	2D	*	T39-0046-08	ROTATION HEAD	F513-853	
△ 627	1C	*	E03-0115-05	AC PLUG ADAPTER		MXM3M5

L : Scandinavia K : USA P : Canada R : Mexico C : China I : Malaysia
 Y : PX(Far East,Hawaii) T : England E : Europe G : Germany V : China(Shanghai)
 Y : AAFES(Europe) X : Australia Q : Russia H : Korea M : Other Areas △ indicates safety critical components .

* New Parts

Parts without **Parts No.** are not supplied.

Les articles non mentionnés dans le **Parts No.** ne sont pas fournis.

Teile ohne **Parts No.** werden nicht geliefert.

②

Ref. No	Add-ress	New Parts	Parts No.	Description	Desti-nation	Re-marks
△ 628	2E	*	E30-XXXX-08	AC POWER CORD	QACCL0005AWZZ	M
△ 628	2E	*	E30-XXXX-08	AC POWER CORD	QACCCXXXXAWZZ	T
△ 628	2E	*	E30-XXXX-08	AC POWER CORD	QACCCXXXXAWZZ	X
△ 628	2E	*	E30-XXXX-08	AC POWER CORD	QACCZ0007AWZZ	M3M5
△ 628	2E	*	E30-2915-08	AC POWER CORD	QACCB0009AWZZ	EE2
629	2D	*	E35-2991-08	FFC WIRE10P	QCNWN1913AWZZ	
630	1E,2D	*	E35-3070-08	FFC WIRE26P	QCNWN1915AWZZ	
635	1E	*	F09-0163-08	FAN	NFANP0001AWZZ	
U-TUBE		*	UT05R9TP10000	TUBE(FW801)	UT05R9TP10000	
639	2D	*	G01-4280-08	SPRING	MSPRD0109AWFJ	
640	2E	*	G01-4281-08	SPRING	MSPRD0110AWFJ	
641	2C	*	G01-4284-08	SPRING	MSPRD0092AWFJ	
642	2C	*	G01-4285-08	SPRING	MSPRD0093AWFJ	
643	2C,2D	*	G13-2514-08	CUSHION(FOOT)	PCUSG0022AWZZ	
-	*	H10-7771-08	POLY FOAM FIXTU	SPAKA0307AWZZ		
-	*	H25-1706-08	BAG(UNIT)	SSAKH0061AWZZ		
-	*	H25-1707-08	BAG CAUTION	CAUT1513A		
-	*	H25-1708-08	BAG(ACCES))	SSAKA0007AWZZ		
-	*	H50-XXXX-08	ITEM CARTON	SPAKC1211AWZZ		M 5
-	*	H50-XXXX-08	ITEM CARTON	SPAKC1212AWZZ		M3M5 6
-	*	H50-XXXX-08	ITEM CARTON	SPAKC1218AWZZ		M 4
-	*	H50-XXXX-08	ITEM CARTON	SPAKC1219AWZZ		ET 6
-	*	H50-XXXX-08	ITEM CARTON	SPAKC1220AWZZ		E2 6
-	*	H50-XXXX-08	ITEM CARTON	SPAKC1221AWZZ		M 7
-	*	H50-XXXX-08	ITEM CARTON	SPAKC1222AWZZ		M3M5 7
-	*	H50-XXXX-08	ITEM CARTON	SPAKC1232AWZZ		5 7
-	*	H50-XXXX-08	ITEM CARTON	SPAKC1233AWZZ		X 5
-	*	H50-4231-08	ITEM CARTON	SPAKC1209AWZZ		ET 1
-	*	H50-4232-08	ITEM CARTON	SPAKC1210AWZZ		1 1
-	*	H50-4234-08	ITEM CARTON	SPAKC1213AWZZ		ET 2
-	*	H50-4235-08	ITEM CARTON	SPAKC1214AWZZ		E2 2
-	*	H50-4236-08	ITEM CARTON	SPAKC1216AWZZ		E 2
-	*	H50-4237-08	ITEM CARTON	SPAKC1217AWZZ		E2 3
649	2E	*	J19-6232-08	HOLDER	LX-LZ0012AWZZ	
654	1E	*	J19-6236-08	UNIT HOLDER	LHLDL019AWSA	
△ 655	2E	*	J42-XXXX-08	POWER CORD BUSH	LSBHC0002AWZZ	
656	1E	*	J69-0223-08	RING(FAN)	CSPR1431C	
660	2C	*	K27-2470-08	KNOB (VOLUME)	JKNBZ0794AWSA	
A	*	N09-5330-08	MACHINE SCREW	XEBSD30P12000		
B	*	N09-5331-08	MACHINE SCREW	XJBSD30P10000		
C	*	N09-5334-08	MACHINE SCREW	LX-BZ2222AXZZ		
D	*	N09-5335-08	MACHINE SCREW	LX-HZ0009AWFD		
E	*	N09-5338-08	MACHINE SCREW	XESSD30P10000		
F	*	N09-5343-08	MACHINE SCREW	XBPSD20P08000		
G	*	N09-5346-08	MACHINE SCREW	XBBSD20P04000		
H	*	N09-5347-08	MACHINE SCREW	XJBSD30P14000		
J	*	N09-5348-08	MACHINE SCREW	XHBSD40P08000		
K	*	N09-5349-08	MACHINE SCREW	XEBSD30P08000		
L	*	N09-5222-08	MACHINE SCREW	LX-JZ0010AFFD		
M	*	N09-5337-08	MACHINE SCREW	XJSSD30P10000		
P	*	N09-5336-08	MACHINE SCREW	XHBSD26P04000		
674	1E	*	T41-0142-08	MOTOR(FAN)	RMOTV0027AWZZ	

L : Scandinavia K : USA P : Canada R : Mexico C : China I : Malaysia
 Y : PX(Far East,Hawaii) T : England E : Europe G : Germany V : China(Shanghai)
 Y : AAFES(Europe) X : Australia Q : Russia H : Korea M : Other Areas △ indicates safety critical components .

PARTS LIST

RXD-655/755

* New Parts

Parts without **Parts No.** are not supplied.Les articles non mentionnés dans le **Parts No.** ne sont pas fournis.Teile ohne **Parts No.** werden nicht geliefert.

Ref. No	Add-ress	New Parts	Parts No.	Description	Desti-nation	Re-marks
675	2C	*	T90-0879-08	LOOP ANTENNA QANTL0008AWZZ		
676	2C	*	T90-0883-08	FM LEAD ANTENNA FANT1535A		
681	2D	*	W04-0019-08	MECHANISM(CAS) KMECB0020AWZZ		
ELECTRICAL PARTS						
FL701		*	NA11MM36	FL TUBE VVKNA11MM36-1		
LED700		*	B30-2613-08	LED(YELLOW) VHP3105UYT1-1T		
LED709		*	B30-2614-08	LED(RED) VHP31URT21+-1+		
C1			CE04KW1E470M	ELECTRO 47UF 25WV		
C2			CK73FB1E103K	CHIP C 0.010UF K		
C3			CE04KW1E470M	ELECTRO 47UF 25WV		
C4			CK73EB1H102K	CHIP C 1000PF K		
C5			CQ93FMG1H473J	MYLAR 0.047UF J		
C6			CK45FB1C104K	CERAMIC 0.10UF K		
C7			CC73ECH1H101J	CHIP C 100PF J		
C8			CK73EB1H472K	CHIP C 4700PF K		
C9			CE04KW1A101M	ELECTRO 100UF 10WV		
C10			CE04KW1H100M	ELECTRO 10UF 50WV		
C11			CE04KW1HR22M	ELECTRO 0.22UF 50WV		
C12			CC45FSL1H101J	CERAMIC 100PF J		
C13			CK73EB1E223K	CHIP C 0.022UF K		
C14			CE04KW1A101M	ELECTRO 100UF 10WV		
C16			CE04KW0J331M	ELECTRO 330UF 6.3WV		
C18			CE04KW1A101M	ELECTRO 100UF 10WV		
C23, 24			CE04KW1H100M	ELECTRO 10UF 50WV		
C25, 26			CK73EB1H152K	CHIP C 1500PF K		
C27			CK73EB1E223K	CHIP C 0.022UF K		
C28			CC73ECH1H101J	CHIP C 100PF J		
C30			CC73ECH1H101J	CHIP C 100PF J		
C32 -34			CC73ECH1H101J	CHIP C 100PF J		
C35			CQ93FMG1H473J	MYLAR 0.047UF J		
C36			CE04KW1H2R2M	ELECTRO 2.2UF 50WV		
C37			CK45FB1C104K	CERAMIC 0.10UF K		
C38			CK73FB1E103K	CHIP C 0.010UF K		
C39			CE04KW1A101M	ELECTRO 100UF 10WV		
C40			CE04KW0J221M	ELECTRO 220UF 6.3WV		
C41			CE04KW1A101M	ELECTRO 100UF 10WV		
C42			CK73FB1E103K	CHIP C 0.010UF K		
C44			CK73EB1H102K	CHIP C 1000PF K		
C48			CK45FF1H223Z	CERAMIC 0.022UF Z		
C49			CE04KW1E470M	ELECTRO 47UF 25WV		
C50			CC45FSL1H220J	CERAMIC 22PF J		
C51			CK73EB1E223K	CHIP C 0.022UF K		
C101,102			CC73FCH1H561J	CHIP C 560PF J		
C105,106			CC73FCH1H181J	CHIP C 180PF J		
C107,108			CC73FCH1H561J	CHIP C 560PF J		
C111-114			CC73FCH1H331J	CHIP C 330PF J		
C115,116			CE04KW1E101M	ELECTRO 100UF 25WV		
C117,118			CK73EB1E333K	CHIP C 0.033UF K		
C119,120			CC73FCH1H561J	CHIP C 560PF J		
C121,122			CE04KW1H010M	ELECTRO 1.0UF 50WV		
C123,124			CK45FB1H222K	CERAMIC 2200PF K		
C127			CK73EB1E223K	CHIP C 0.022UF K		

L : Scandinavia K : USA P : Canada R : Mexico C : China I : Malaysia
 Y : PX(Far East,Hawaii) T : England E : Europe G : Germany V : China(Shanghai)
 Y : AAFES(Europe) X : Australia Q : Russia H : Korea M : Other Areas Δ indicates safety critical components .

* New Parts

Parts without **Parts No.** are not supplied.Les articles non mentionnés dans le **Parts No.** ne sont pas fournis.Teile ohne **Parts No.** werden nicht geliefert.

Ref. No	Add-ress	New Parts	Parts No.	Description	Desti-nation	Re-marks
C128			CE04KW1H3R3M	ELECTRO 3.3UF 50WV		
C131,132			CC73ECH1H271J	CHIP C 270PF J		
C133,134			CE04KW1E220M	ELECTRO 22UF 25WV		
C135,136			CK45FB1H223Z	CERAMIC 0.022UF Z		
C139,140			CK73EB1H332K	CHIP C 3300PF K		
C141,142			CE04KW1E470M	ELECTRO 47UF 25WV		
C145			CE04KW1H220M	ELECTRO 22UF 50WV		
C146			CE04KW1A221M	ELECTRO 220UF 10WV		
C150		*	C92-0248-08	MYLAR 8200PF J		
C151			CQ93FMG1H393J	MYLAR 0.039UF J		
C152			CE04KW1E470M	ELECTRO 47UF 25WV		
C153			CE04KW1C101M	ELECTRO 100UF 16WV		
C154			CK45FB1H473Z	CERAMIC 0.047UF Z		
C301			CK73EB1H102K	CHIP C 1000PF K		MXM3M5
C301			CK73EB1H103K	CHIP C 0.010UF K		ETE2
C303			CC73ECH1H100D	CHIP C 10PF D		MXM3M5
C304			CK73FB1E103K	CHIP C 0.010UF K		MXM3M5
C305		*	C91-1641-08	CHIP C 4.7PF J		MXM3M5
C306			CK73EB1E223K	CHIP C 0.022UF K		MXM3M5
C307			CE04KW1C100M	ELECTRO 10UF 16WV		MXM3M5
C308		*	C91-1641-08	CHIP C 4.7PF J		MXM3M5
C309			CK73EB1H102K	CHIP C 1000PF K		MXM3M5
C310			CC73ECH1H150J	CHIP C 15PF J		MXM3M5
C311			CC73ECH1H180J	CHIP C 18PF J		MXM3M5
C312			CK73EB1E223K	CHIP C 0.022UF K		MXM3M5
C313			CC73ECH1H220J	CHIP C 22PF J		MXM3M5
C314,315			CK73EB1H472K	CHIP C 4700PF K		MXM3M5
C316			CK73EB1E223K	CHIP C 0.022UF K		MXM3M5
C317			CK73EB1H102K	CHIP C 1000PF K		MXM3M5
C318			CC73ECH1H101J	CHIP C 100PF J		MXM3M5
C321			CE04KW1C101M	ELECTRO 100UF 16WV		ETE2
C323			CK73EB1E223K	CHIP C 0.022UF K		
C324		*	C91-1642-08	CHIP C 3.9PF J		MXM3M5
C330			CC73ECH1H150J	CHIP C 15PF J		
C331			CK45FB1H473Z	CERAMIC 0.047UF Z		
C332			CK73EB1E223K	CHIP C 0.022UF K		
C334			CC73ECH1H220J	CHIP C 22PF J		
C335			CC73FCH1H561J	CHIP C 560PF J		
C338			CK73EB1H102K	CHIP C 1000PF K		
C341			CK73EB1E223K	CHIP C 0.022UF K		ETE2
C342			CK73EB1E223K	CHIP C 0.022UF K		
C345-347			CK73EB1E223K	CHIP C 0.022UF K		ETE2
C348			CK73FB1E103K	CHIP C 0.010UF K		ETE2
C350,351			CK73EB1E223K	CHIP C 0.022UF K		MXM3M5
C352			CE04KW1C100M	ELECTRO 10UF 16WV		
C353,354			CK73EB1E223K	CHIP C 0.022UF K		
C355			CC73ECH1H220J	CHIP C 22PF J		
C356			CK73EB1H102K	CHIP C 1000PF K		
C357			CE04KW1H2R2M	ELECTRO 2.2UF 50WV		
C358			CE04KW1H010M	ELECTRO 1.0UF 50WV		
C361			CK73EB1E223K	CHIP C 0.022UF K		
C362			CE04KW1H3R3M	ELECTRO 3.3UF 50WV		
C363			CK73EB1E223K	CHIP C 0.022UF K		
C364			CE04KW1H2R2M	ELECTRO 2.2UF 50WV		
C365			CK45FB1H223K	CERAMIC 0.022UF K		

L : Scandinavia K : USA P : Canada R : Mexico C : China I : Malaysia
 Y : PX(Far East,Hawaii) T : England E : Europe G : Germany V : China(Shanghai)
 Y : AAFES(Europe) X : Australia Q : Russia H : Korea M : Other Areas Δ indicates safety critical components .

* New Parts

Parts without **Parts No.** are not supplied.Les articles non mentionnés dans le **Parts No.** ne sont pas fournis.Teile ohne **Parts No.** werden nicht geliefert.

5

Ref. No	Add-ress	New Parts	Parts No.	Description	Desti-nation	Re-marks
C366			CK73EB1H102K	CHIP C	1000PF	K
C367,368			CE04KW1H010M	ELECTRO	1.0UF	50WV
C369			CC73ECH1H270J	CHIP C	27PF	J
C370-372			CE04KW1H010M	ELECTRO	1.0UF	50WV
C373,374			CK45FB1E273K	CERAMIC	0.027UF	K
C380			CE04KW1C100M	ELECTRO	10UF	16WV
C381			CC73ECH1H120J	CHIP C	12PF	J
C382			CC73ECH1H150J	CHIP C	15PF	J
C384			CK73EB1H102K	CHIP C	1000PF	K
C385			CK73FB1E103K	CHIP C	0.010UF	K
C386			CC73FCH1H331J	CHIP C	330PF	J
C387			CK73EB1E223K	CHIP C	0.022UF	K
C388			CK73EB1H102K	CHIP C	1000PF	K
C389			CK45FB1H223K	CERAMIC	0.022UF	K
C391			CE04KW1C470M	ELECTRO	47UF	16WV
C392			CK73EB1H102K	CHIP C	1000PF	K
C393			CE04KW1H010M	ELECTRO	1.0UF	50WV
C394			CE04KW1C470M	ELECTRO	47UF	16WV
C395			CK73EB1E223K	CHIP C	0.022UF	K
C396			CE04KW1A101M	ELECTRO	100UF	10WV
C397			CK73EB1E223K	CHIP C	0.022UF	K
C398			CE04KW1A101M	ELECTRO	100UF	10WV
C399			CK73EB1E223K	CHIP C	0.022UF	K
C561,562			CC73ECH1H271J	CHIP C	270PF	J
C563,564			CE04KW1H2R2M	ELECTRO	2.2UF	50WV
C565,566			CK73EB1H272K	CHIP C	2700PF	K
C567,568			CK73EB1H682K	CHIP C	6800PF	K
C569			CK73EB1E223K	CHIP C	0.022UF	K
C570			CE04KW1H2R2M	ELECTRO	2.2UF	50WV
C571-573			CK73EB1E223K	CHIP C	0.022UF	K
C602			CE04KW1H220M	ELECTRO	22UF	50WV
C605			CE04KW1H4R7M	ELECTRO	4.7UF	50WV
C606			CE04KW1C101M	ELECTRO	100UF	16WV
C607,608			CF92FV1H124J	MF-C	0.12UF	J
C607,608			CQ93FMG1H104J	MYLAR	0.10UF	J
C609,610			CF92FV1H124J	MF-C	0.12UF	J
C611,612			CK73FB1E152K	CHIP C	1500PF	K
C613,614			CE04KW1H100M	ELECTRO	10UF	50WV
C615,616			CK73EB1H102K	CHIP C	1000PF	K
C617			CE04KW1H2R2M	ELECTRO	2.2UF	50WV
C618			CE04KW1H220M	ELECTRO	22UF	50WV
C619,620			CE04KW1H010M	ELECTRO	1.0UF	50WV
C621,622			CE04KW1H4R7M	ELECTRO	4.7UF	50WV
C623-630			CE04KW1H010M	ELECTRO	1.0UF	50WV
C631,632			CC73FCH1H391J	CHIP C	390PF	J
C635,636			CK73EB1H102K	CHIP C	1000PF	K
C639,640			CC73FCH1H101J	CHIP C	100PF	J
C641,642			CC45FSL1H470J	CERAMIC	47PF	J
C643-645			CC73FCH1H221J	CHIP C	220PF	J
C700			CE04KW1H330M	ELECTRO	33UF	50WV
C701			CE04KW1A221M	ELECTRO	220UF	10WV
C702			CE04KW1H330M	ELECTRO	33UF	50WV
C704			CE04KW1H470M	ELECTRO	47UF	50WV
C705			CC73ECH1H150J	CHIP C	15PF	J
C706			CC73ECH1H180J	CHIP C	18PF	J

L : Scandinavia K : USA P : Canada R : Mexico C : China I : Malaysia
 Y : PX(Far East,Hawaii) T : England E : Europe G : Germany V : China(Shanghai)
 Y : AAFES(Europe) X : Australia Q : Russia H : Korea M : Other Areas ⚠ indicates safety critical components.

* New Parts

Parts without **Parts No.** are not supplied.Les articles non mentionnés dans le **Parts No.** ne sont pas fournis.Teile ohne **Parts No.** werden nicht geliefert.

6

Ref. No	Add-ress	New Parts	Parts No.	Description	Desti-nation	Re-marks
C707			CE04KW1H3R3M	ELECTRO	3.3UF	50WV
C708			CE04KW1E470M	ELECTRO	47UF	25WV
C709			CK73EB1H102K	CHIP C	1000PF	K
C710			CC73ECH1H101J	CHIP C	100PF	J
C711			CK73FB1E103K	CHIP C	0.010UF	K
C712			CE04KW1V101M	ELECTRO	100UF	35WV
C713			CE04KW1H220M	ELECTRO	22UF	50WV
C715,716			CK73EB1H102K	CHIP C	1000PF	K
C717			CE04KW1E470M	ELECTRO	47UF	25WV
C801		*	C91-1639-08	CERAMIC	4700PF	250V
C802			CQ93FMG1H473J	MYLAR	0.047UF	J
C803			CE04KW1V471M	ELECTRO	470UF	35WV
C804			CE04KW1C100M	ELECTRO	10UF	16WV
C805			CE04KW0J222M	ELECTRO	2200UF	6.3WV
C809,810			CF92FV1H224J	MF-C	0.22UF	J
C811,812		*	C92-0249-08	MYLAR	0.22UF	J
C813,814			CF92FV1H224J	MF-C	0.22UF	J
C815-817			CE04KW1H221M	ELECTRO	220UF	50WV
C818,819			CE04KW1H470M	ELECTRO	47UF	50WV
C820			CE04KW1V101M	ELECTRO	100UF	35WV
C850			CE04KW1V222M	ELECTRO	2200UF	35WV
C852			CQ93FMG1H473J	MYLAR	0.047UF	J
C855			CQ93FMG1H104J	MYLAR	0.10UF	J
C856			CK45FB1H101K	CERAMIC	100PF	K
C859			CQ93FMG1H102J	MYLAR	1000PF	J
C860			CE04KW1C472M	ELECTRO	4700UF	16WV
C861			CK73EB1E223K	CHIP C	0.022UF	K
C863,864			CE04KW1H220M	ELECTRO	22UF	50WV
C865			CE04KW1E470M	ELECTRO	47UF	25WV
C866			CK73EB1H102K	CHIP C	1000PF	K
C867			CE04KW1H010M	ELECTRO	1.0UF	50WV
C901,902		*	C90-5727-08	ELECTRO	3300UF	63WV
C901,902		*	C91-1640-08	ELECTRO	3300UF	71WV
C903,904		*	C90-5728-08	ELECTRO	4700UF	35WV
C905			CE04KW1H0R1M	ELECTRO	0.1UF	50WV
C911-914			CC45FSL1H470J	CERAMIC	47PF	J
C915,916			CE04KW1H470M	ELECTRO	47UF	50WV
C917,918			CE04KW1HR22M	ELECTRO	0.22UF	50WV
C919,920			CE04KW2A101M	ELECTRO	100UF	100WV
C921,922			CE04KW1H101M	ELECTRO	100UF	50WV
C923,924			CQ93FMG1H223J	MYLAR	0.022UF	J
C925			CE04KW1H470M	ELECTRO	47UF	50WV
C927-930			CQ93FMG1H104K	MYLAR	0.10UF	K
C931-934			CF92FV1H104J	MF-C	0.10UF	J
C935-938			CQ93FMG1H223J	MYLAR	0.022UF	J
C939,940			CC45FSL1H221J	CERAMIC	220PF	J
C941,942			CK45FB1H102K	CERAMIC	1000PF	K
C943			CE04KW1H470M	ELECTRO	47UF	50WV
C945			CE04KW1E470M	ELECTRO	47UF	25WV
C946			CE04KW1A101M	ELECTRO	100UF	10WV
C947,948			CK45FB1H102K	CERAMIC	1000PF	K
C952			CE04KW1E221M	ELECTRO	220UF	25WV
C956,957			CE04KW2A101M	ELECTRO	100UF	100WV
C958			CE04KW1H0R1M	ELECTRO	0.1UF	50WV
C961,962			CK45FB1H222K	CERAMIC	2200PF	K

L : Scandinavia K : USA P : Canada R : Mexico C : China I : Malaysia
 Y : PX(Far East,Hawaii) T : England E : Europe G : Germany V : China(Shanghai)
 Y : AAFES(Europe) X : Australia Q : Russia H : Korea M : Other Areas ⚠ indicates safety critical components.

PARTS LIST

12345
67

RXD-655/755

* New Parts

Parts without **Parts No.** are not supplied.Les articles non mentionnés dans le **Parts No.** ne sont pas fournis.Teile ohne **Parts No.** werden nicht geliefert.

⑦

Ref. No	Add-ress	New Parts	Parts No.	Description	Desti-nation	Re-marks
CT1,2			CK45FB1C102K	CERAMIC 1000PF	K	
CT21			CE04KW1E470M	ELECTRO 47UF	25WV	ETE2
CT22			CK45FB1H223K	CERAMIC 0.022UF	K	ETE2
CT23			CC45FSL1H220J	CERAMIC 22PF	J	ETE2
CT24			CE04KW1C100M	ELECTRO 10UF	16WV	ETE2
CT25			CC45FSL1H220J	CERAMIC 22PF	J	ETE2
CT26			CC73FCH1H561J	CHIP C 560PF	J	ETE2
CT27			CK73EB1E223K	CHIP C 0.022UF	K	ETE2
CT28-30			CK45FB1H223K	CERAMIC 0.022UF	K	ETE2
CT31			CE04KW1E470M	ELECTRO 47UF	25WV	ETE2
CT32			CE04KW1C100M	ELECTRO 10UF	16WV	ETE2
VD301		*	C02-0303-08	VARICAP(AM)	VHCSVC348S/-1T	
VD302,303		*	C02-0302-08	VARICAP(FM)	VHCSVC211C/-1T	MXM3M5
BI8		*	E40-8932-08	FLAT CABLE CON	QCNWN1923AWZZ	
BI11		*	E35-3002-08	WIRE HARNESS	QCNWN1924AWZZ	
BI902		*	E35-2993-08	WIRE HARNESS	QCNWN1916AWZZ	
BI903		*	E35-2994-08	WIRE HARNESS(8P)	QCNWN1917AWZZ	
BI905		*	E35-2997-08	WIRE HARNESS	QCNWN1919AWZZ	
CNP1		*	E40-8920-08	PIN ASSY	QCNCM704GAWZZ	
CNS1A/B		*	E40-8917-08	WIRE HARNESS(7)	QCNWN1537AWZZ	
CNP2		*	E40-8921-08	PIN ASSY	QCNCM704HAWZZ	
CNS2A/B		*	E40-8915-08	WIRE HARNESS(6)	QCNWN1539AWZZ	
CNP3		*	E40-8381-08	PIN ASSY	CONE6P53253	
CNP3A		*	E40-8918-08	PIN ASSY	CONE6P53254	
CNS3A/B		*	E40-8914-08	WIRE HARNESS(8)	QCNWN1538AWZZ	
CNP4		*	E40-8922-08	PIN ASSY	QCNCM705FAFZZ	
CNS4		*	E40-8916-08	WIRE HARNESS(6)	QCNWN1572AWZZ	
CNP7		*	E40-8918-08	PIN ASSY	CONE6P53254	
CNP8		*	E40-8919-08	PIN ASSY	CONE9P53254	
CNP101		*	E40-8264-08	PIN ASSY	QCNCM705CAFZZ	
CNS102		*	E35-3001-08	WIRE HARNESS	QCNWN1624AWZZ	
CNP301		*	E40-8933-08	PIN ASSY(AM)	CONE2P5268	
CNP701		*	E35-XXXX-08	PIN ASSY	QCNCWZG26AWZZ	ETE2
CNP701		*	E35-3000-08	PIN ASSY	QCNCWZX20AWZZ	MXM3M5
CNS701		*	E40-XXXX-08	PIN ASSY(FFC)	QCNCWZF26AWZZ	ETE2
CNS701		*	E40-8930-08	PIN ASSY(FFC)	QCNCWZY20AWZZ	MXM3M5
CNS702		*	E40-8929-08	PIN ASSY(FFC)	QCNCWZY10AWZZ	
CNP901		*	E40-8926-08	PIN ASSY	QCNCM010AWZZ	
CNP902		*	E40-8924-08	PIN ASSY	CONE5P5267X	
CNP903		*	E40-8935-08	PIN ASSY	CONE8P5267	
CNP904		*	E40-8923-08	PIN ASSY	CONE2P53253	
CNP905		*	E40-8381-08	PIN ASSY	CONE6P53253	
CNS901		*	E35-2999-08	WIRE HARNESS	QCNCW010AWZZ	
CNS904		*	E35-2990-08	WIRE HARNE(FAN)	QCNWN1582AWZZ	
FW701		*	E35-2998-08	WIRE HARNESS(3P)	QCNWN1922AWZZ	
FW701A/B		*	E40-8931-08	WIRE HARNESS	QCNCW015CAWZZ	
FW801		*	E35-2995-08	WIRE HARNESS(4P)	QCNWN1918AWZZ	
FW801A		*	E40-8928-08	WIRE HARNESS	QCNCW015DAWZZ	
FW801B		*	E40-8928-08	WIRE HARNESS	QCNCW015DAWZZ	
FW902		*	E35-2996-08	WIRE HARNESS	QCNWN1927AWZZ	
FW902A		*	E40-8927-08	WIRE HARNESS	QCNCW019EAWZZ	
JK601		*	E63-1219-08	PIN JACK	QSOCJ0224AWZZ	
JK670		*	E11-0942-08	PHONE JACK	QJAKM0004AWZZ	
K901,902		*	LUG1746A	TERMINAL(LUG)	LUG1746A	

L : Scandinavia K : USA P : Canada R : Mexico C : China I : Malaysia

Y : PX(Far East,Hawaii) T : England E : Europe G : Germany V : China(Shanghai)

Y : AAFES(Europe) X : Australia Q : Russia H : Korea M : Other Areas Δ indicates safety critical components.

* New Parts

Parts without **Parts No.** are not supplied.Les articles non mentionnés dans le **Parts No.** ne sont pas fournis.Teile ohne **Parts No.** werden nicht geliefert.

⑧

Ref. No	Add-ress	New Parts	Parts No.	Description	Desti-nation	Re-marks
SO301		*	E70-0145-08	FM ANT	QTANC0105AWZZ	
SO901		*	E70-0144-08	LOCK TERMINAL	QTANA0415AWZZ	
WT601		*	E40-8934-08	PIN ASSY	QCNCW012EAWZZ	MXM3M5
WT902		*	E40-8934-08	PIN ASSY	QCNCW012EAWZZ	ETE2
Δ F801		*	F50-XXXX-08	FUSE(T2.5AL250V)	QFS-D250CAWNI	
Δ F804,805		*	F50-XXXX-08	FUSE(T5AL250V)	QFS-D502CAWNI	
Δ F806,807		*	F50-XXXX-08	FUSE(T2AL250V)	QFS-D202CAWNI	
FH801,802		*	J19-6238-08	HOLDER(FUSE)	QFSHD0001AWZZT	
FH803-806		*	J19-6238-08	HOLDER(FUSE)	QFSHD0001AWZZT	MXM3M5
FH807-814		*	J19-6238-08	HOLDER(FUSE)	QFSHD0001AWZZT	
HLD-A		*	J19-6237-08	HOLDER(FL)	LHLDZ133AWSA	
BF301		*	L32-1040-08	FM OSC COIL	RFILR0008AWZZT	MXM3M5
CF301,302		*	L72-0641-08	FM FILTER	RFILF0072AFZZ	ETE2
CF303		*	L72-0638-08	CERAMIC FILTER	RFILF0124AFZZ	MXM3M5
CF351		*	L79-1287-08	LINE FILTER	RFILF0003AWZZT	
CF352		*	L79-1286-08	LINE FILTER	RFILA0009AWZZ	
L1		*	L90-0387-08	COIL	VP-XHR82K0000T	
L101,102		*	L90-0390-08	COIL	VP-MK2R2K0000T	ETE2
L104		*	L90-0389-08	COIL	VP-MK331K0000T	
L312		*	L90-0391-08	COIL	RCILR0056AWZZ	MXM3M5
L341		*	RBLN-0002AWZZ	ANT COIL	RBLN-0002AWZZ	ETE2
L342		*	L90-0312-08	COIL	VP-DH2R2K0000T	ETE2
L351,352		*	L90-0388-08	COIL	VP-DH101K0000T	
L354		*	L79-1289-08	COIL	RFILL0001AWZZ	ETE2
L601		*	L90-0312-08	COIL	VP-DH2R2K0000T	ETE2
L700		*	L90-0388-08	COIL	VP-DH101K0000T	
L801		*	RCILZ0022AWZZ	CHOKO COIL	RCILZ0022AWZZ	ETE2
L901,902		*	L39-1342-08	COIL	RCILZ0137AFZZ	
L903,904		*	L39-1342-08	COIL	RCILZ0137AFZZ	ETE2
LT21,22		*	L90-0312-08	COIL	VP-DH2R2K0000T	ETE2
T301		*	L33-1634-08	CHOKO COIL	RCILB0065AWZZ	MXM3M5
T302		*	L31-0662-08	FM-RF COIL	RCILI0017AWZZ	MXM3M5
T303		*	L31-0661-08	FM-RF COIL	RCILA0052AWZZ	
T306		*	L32-1039-08	OSC COIL(AM)	RCILB0067AWZZ	
T351		*	L30-0985-08	IFT COIL(AM)	RCIL0019AWZZ	
Δ T801	2E	*	L07-XXXX-08	POWER TRANS	RTRNP0368AWZZ	MXM3M5 45
Δ T801	2E	*	L07-XXXX-08	POWER TRANS	RTRNP0364AWZZ	ETE2 6
Δ T801	2E	*	L07-3125-08	POWER TRANS	RTRNP0367AWZZ	MXM3M5 7
Δ T802	2E	*	L07-XXXX-08	TRANSFORMER	RTRNP0313AWZZ	ETE2 123
Δ T802	2E	*	L07-XXXX-08	TRANSFORMER	RTRNP0341AWZZ	MXM3M5
X351		*	L77-2351-08	CRYSTAL RESONA	CRSTL1425A	
X352		*	L77-2352-08	CRYSTAL RESONA	RCRSP0019AWZZ	
XL1		*	L78-0739-08	RESONATOR	RCRM-0041AWZZT	
XL700		*	L77-2230-08	CRYSTAL RESONA	RCRSP0003AWZZ	
XT21		*	RCRSP0018AWZZ	CRYSTAL RESONA	RCRSP0018AWZZ	ETE2
MJ1-3			RK73EB2B000J	CHIP R	0 J 1/8W	
MJ101			RK73EB2B000J	CHIP R	0 J 1/8W	
MJ301			RK73EB2B000J	CHIP R	0 J 1/8W	ETE2
MJ306			RK73EB2B000J	CHIP R	0 J 1/8W	
MJ307,308			RK73EB2B000J	CHIP R	0 J 1/8W	MXM3M5
MJ309,310			RK73EB2B000J	CHIP R	0 J 1/8W	
MJ311			RK73EB2B000J	CHIP R	0 J 1/8W	ETE2
MJ314			RK73EB2B000J	CHIP R	0 J 1/8W	MXM3M5
MJ315,316			RK73EB2B000J	CHIP R	0 J 1/8W	ETE2

L : Scandinavia K : USA P : Canada R : Mexico C : China I : Malaysia

Y : PX(Far East,Hawaii) T : England E : Europe G : Germany V : China(Shanghai)

Y : AAFES(Europe) X : Australia Q : Russia H : Korea M : Other Areas Δ indicates safety critical components.

* New Parts

Parts without **Parts No.** are not supplied.Les articles non mentionnés dans le **Parts No.** ne sont pas fournis.Teile ohne **Parts No.** werden nicht geliefert.

9

Ref. No	Add-ress	New Parts	Parts No.	Description	Desti-nation	Re-marks
R11			RK73EB2B103J	CHIP R	10K	J 1/8W
R12			RK73EB2B331J	CHIP R	330	J 1/8W
R13 -17			RK73EB2B102J	CHIP R	1.0K	J 1/8W
R23			RK73EB2B221J	CHIP R	220	J 1/8W
R24 ,25			RK73EB2B222J	CHIP R	2.2K	J 1/8W
R26 ,27			RK73EB2B103J	CHIP R	10K	J 1/8W
R39 ,40			RK73EB2B681J	CHIP R	680	J 1/8W
R41			RK73EB2B123J	CHIP R	12K	J 1/8W
R42			RK73EB2B122J	CHIP R	1.2K	J 1/8W
R43			RK73EB2B221J	CHIP R	220	J 1/8W
R45 ,46			RK73EB2B471J	CHIP R	470	J 1/8W
R47			RK73EB2B101J	CHIP R	100	J 1/8W
R48			RK73EB2B000J	CHIP R	0	J 1/8W
R101			RK73EB2B102J	CHIP R	1.0K	J 1/8W
R103,104			RK73EB2B222J	CHIP R	2.2K	J 1/8W
R105,106			RK73EB2B332J	CHIP R	3.3K	J 1/8W
R107,108			RK73EB2B473J	CHIP R	47K	J 1/8W
R109,110			RK73EB2B472J	CHIP R	4.7K	J 1/8W
R112			RK73EB2B153J	CHIP R	15K	J 1/8W
R113,114			RK73EB2B103J	CHIP R	10K	J 1/8W
R115			RK73EB2B472J	CHIP R	4.7K	J 1/8W
R120			RK73EB2B560J	CHIP R	56	J 1/8W
R121,122			RK73EB2B104J	CHIP R	100K	J 1/8W
R123,124			RK73EB2B392J	CHIP R	3.9K	J 1/8W
R125,126			RK73EB2B562J	CHIP R	5.6K	J 1/8W
R131,132			RK73EB2B392J	CHIP R	3.9K	J 1/8W
R134			RK73EB2B683J	CHIP R	68K	J 1/8W
R135,136			RK73EB2B472J	CHIP R	4.7K	J 1/8W
R137,138			RK73EB2B682J	CHIP R	6.8K	J 1/8W
R139,140			RK73EB2B102J	CHIP R	1.0K	J 1/8W
R141,142			RK73EB2B101J	CHIP R	100	J 1/8W
R145,146			RK73EB2B103J	CHIP R	10K	J 1/8W
R153			RK73EB2B103J	CHIP R	10K	J 1/8W
R156			RK73EB2B224J	CHIP R	220K	J 1/8W
R160			RN14BK2H82R0F	RN	82	F 1/2W
R162			RK73EB2B473J	CHIP R	47K	J 1/8W
R166			RK73EB2B223J	CHIP R	22K	J 1/8W
R167			RK73EB2B473J	CHIP R	47K	J 1/8W
R169-172			RK73EB2B102J	CHIP R	1.0K	J 1/8W
R169-174			RK73EB2B102J	CHIP R	1.0K	J 1/8W
R173,174			RK73EB2B100J	CHIP R	10	J 1/8W
R311			RK73EB2B104J	CHIP R	100K	J 1/8W
R313			RK73EB2B333J	CHIP R	33K	J 1/8W
R316			RK73EB2B472J	CHIP R	4.7K	J 1/8W
R322			RK73EB2B681J	CHIP R	680	J 1/8W
R323			RK73EB2B683J	CHIP R	68K	J 1/8W
R325			RK73EB2B473J	CHIP R	47K	J 1/8W
R327			RK73EB2B330J	CHIP R	33	J 1/8W
R336			RK73EB2B103J	CHIP R	10K	J 1/8W
R345			RK73EB2B472J	CHIP R	4.7K	J 1/8W
R346			RK73EB2B331J	CHIP R	330	J 1/8W
R347			RK73EB2B682J	CHIP R	6.8K	J 1/8W
R348			RK73EB2B681J	CHIP R	680	J 1/8W
R349			RK73EB2B330J	CHIP R	33	J 1/8W
R350			RK73EB2B272J	CHIP R	2.7K	J 1/8W

L : Scandinavia K : USA P : Canada R : Mexico C : China I : Malaysia
 Y : PX(Far East,Hawaii) T : England E : Europe G : Germany V : China(Shanghai)
 Y : AAFES(Europe) X : Australia Q : Russia H : Korea M : Other Areas Δ indicates safety critical components .

* New Parts

Parts without **Parts No.** are not supplied.Les articles non mentionnés dans le **Parts No.** ne sont pas fournis.Teile ohne **Parts No.** werden nicht geliefert.

10

Ref. No	Add-ress	New Parts	Parts No.	Description	Desti-nation	Re-marks
R351			RK73EB2B562J	CHIP R	5.6K	J 1/8W
R352			RK73EB2B102J	CHIP R	1.0K	J 1/8W
R353			RK73EB2B271J	CHIP R	270	J 1/8W
R355			RK73EB2B332J	CHIP R	3.3K	J 1/8W
R356			RK73EB2B102J	CHIP R	1.0K	J 1/8W
R359			RK73EB2B182J	CHIP R	1.8K	J 1/8W
R360			RK73EB2B472J	CHIP R	4.7K	J 1/8W
R361,362			RK73EB2B332J	CHIP R	3.3K	J 1/8W
R365			RK73EB2B103J	CHIP R	10K	J 1/8W
R369			RK73EB2B150J	CHIP R	15	J 1/8W
R372-374			RK73EB2B102J	CHIP R	1.0K	J 1/8W
R376			RK73EB2B102J	CHIP R	1.0K	J 1/8W
R377			RK73EB2B473J	CHIP R	47K	J 1/8W
R378			RK73EB2B102J	CHIP R	1.0K	J 1/8W
R379			RK73EB2B222J	CHIP R	2.2K	J 1/8W
R380			RK73EB2B152J	CHIP R	1.5K	J 1/8W
R381			RK73EB2B103J	CHIP R	10K	J 1/8W
R383			RK73EB2B562J	CHIP R	5.6K	J 1/8W
R385			RK73EB2B562J	CHIP R	5.6K	J 1/8W
R388			RK73EB2B392J	CHIP R	3.9K	J 1/8W
R393			RK73EB2B102J	CHIP R	1.0K	J 1/8W
R395			RK73EB2B473J	CHIP R	47K	J 1/8W
R399			RK73EB2B330J	CHIP R	33	J 1/8W
R561			RK73EB2B103J	CHIP R	10K	J 1/8W
R562			RK73EB2B824J	CHIP R	820K	J 1/8W
R565			RK73EB2B333J	CHIP R	33K	J 1/8W
R566			RK73EB2B224J	CHIP R	220K	J 1/8W
R567			RK73EB2B683J	CHIP R	68K	J 1/8W
R568			RK73EB2B224J	CHIP R	220K	J 1/8W
R569			RK73EB2B104J	CHIP R	100K	J 1/8W
R570			RK73EB2B123J	CHIP R	12K	J 1/8W
R571			RK73EB2B394J	CHIP R	390K	J 1/8W
R572			RK73EB2B104J	CHIP R	100K	J 1/8W
R573			RK73EB2B563J	CHIP R	56K	J 1/8W
R574			RK73EB2B105J	CHIP R	1.0M	J 1/8W
R575			RK73EB2B474J	CHIP R	470K	J 1/8W
R576			RK73EB2B225J	CHIP R	2.2M	J 1/8W
R577			RK73EB2B154J	CHIP R	150K	J 1/8W
R578			RK73EB2B104J	CHIP R	100K	J 1/8W
R580			RK73EB2B184J	CHIP R	180K	J 1/8W
R605,606			RK73EB2B392J	CHIP R	3.9K	J 1/8W
R607,608			RK73EB2B103J	CHIP R	10K	J 1/8W
R611,612			RK73EB2B332J	CHIP R	3.3K	J 1/8W
R613,614			RK73EB2B331J	CHIP R	330	J 1/8W
R615,616			RK73EB2B222J	CHIP R	2.2K	J 1/8W
R617,618			RK73EB2B103J	CHIP R	10K	J 1/8W
R619,620			RK73EB2B223J	CHIP R	22K	J 1/8W
R621,622			RK73EB2B222J	CHIP R	2.2K	J 1/8W
R631,632			RK73EB2B103J	CHIP R	10K	J 1/8W
R633,634			RK73EB2B563J	CHIP R	56K	J 1/8W
R637,638			RK73EB2B474J	CHIP R	470K	J 1/8W
R700			RK73EB2B102J	CHIP R	1.0K	J 1/8W
R704-706			RK73EB2B102J	CHIP R	1.0K	J 1/8W
R731			RK73EB2B103J	CHIP R	10K	J 1/8W
R739-745			RK73EB2B102J	CHIP R	1.0K	J 1/8W

L : Scandinavia K : USA P : Canada R : Mexico C : China I : Malaysia
 Y : PX(Far East,Hawaii) T : England E : Europe G : Germany V : China(Shanghai)
 Y : AAFES(Europe) X : Australia Q : Russia H : Korea M : Other Areas Δ indicates safety critical components .

PARTS LIST

RXD-655/755

* New Parts

Parts without **Parts No.** are not supplied.Les articles non mentionnés dans le **Parts No.** ne sont pas fournis.Teile ohne **Parts No.** werden nicht geliefert.

Ref. No	Add-ress	New Parts	Parts No.	Description	Quantity	Unit	Dimensions	Desti-nation	Re-marks
R747			RK73EB2B101J	CHIP R	100	J	1/8W		
R750			RK73EB2B225J	CHIP R	2.2M	J	1/8W		
R752			RK73EB2B103J	CHIP R	10K	J	1/8W		
R756-759			RK73EB2B103J	CHIP R	10K	J	1/8W		
R760			RK73EB2B104J	CHIP R	100K	J	1/8W		
R761			RK73EB2B102J	CHIP R	1.0K	J	1/8W		
R762			RK73EB2B104J	CHIP R	100K	J	1/8W		
R763			RK73EB2B102J	CHIP R	1.0K	J	1/8W		
R764			RK73EB2B104J	CHIP R	100K	J	1/8W		
R765			RK73EB2B102J	CHIP R	1.0K	J	1/8W		
R766-770			RK73EB2B103J	CHIP R	10K	J	1/8W		
R771			RK73EB2B102J	CHIP R	1.0K	J	1/8W		
R774			RK73EB2B103J	CHIP R	10K	J	1/8W		
R776-780			RK73EB2B103J	CHIP R	10K	J	1/8W		
R783			RK73EB2B473J	CHIP R	47K	J	1/8W		
R790			RK73EB2B000J	CHIP R	0	J	1/8W		
R855			RD14BB2H3R3J	RD	3.3	J	1/2W		
R861			RK73EB2B683J	CHIP R	68K	J	1/8W		
R863			RK73EB2B333J	CHIP R	33K	J	1/8W		
R868,869			RK73EB2B562J	CHIP R	5.6K	J	1/8W		
R870			RK73EB2B222J	CHIP R	2.2K	J	1/8W		
R873			RK73EB2B102J	CHIP R	1.0K	J	1/8W		
R874,875			RK73EB2B104J	CHIP R	100K	J	1/8W		
R878,879			RK73EB2B223J	CHIP R	22K	J	1/8W		
R880			RK73EB2B103J	CHIP R	10K	J	1/8W		
R911,912		*	R92-4565-08	FUSE R	100	J	1/4W		
R913-916		*	R92-4566-08	FL-PROOF RS	0.22	J	3W		
R917,918		*	R92-4567-08	FL-PROOF RS	0.1	J	3W		
R924			RD14BB2H4R7J	RD	4.7	J	1/2W		
R925-928			RD14BB2H100J	RD	10	J	1/2W		
R931,932			RD14BB2H100J	RD	10	J	1/2W		
R941,942			RS14AB3D561J	FL-PROOF RS	560	J	2W		
R943			RS14AB3D681J	FL-PROOF RS	680	J	2W		
R945,946			RD14BB2H3R9J	RD	3.9	J	1/2W		
R947,948			RD14BB2H3R9J	RD	3.9	J	1/2W	MXM3M5	
R947,948			RD14BB2H5R6J	RD	5.6	J	1/2W	ETE2	
R953,954			RD14BB2H100J	RD	10	J	1/2W		
RD01			RK73EB2B681J	CHIP R	680	J	1/8W		
RD02			RK73EB2B821J	CHIP R	820	J	1/8W		
RD03			RK73EB2B102J	CHIP R	1.0K	J	1/8W		
RD04			RK73EB2B681J	CHIP R	680	J	1/8W		
RD05			RK73EB2B821J	CHIP R	820	J	1/8W		
RD06			RK73EB2B102J	CHIP R	1.0K	J	1/8W		
RD07			RK73EB2B152J	CHIP R	1.5K	J	1/8W		
RD08			RK73EB2B222J	CHIP R	2.2K	J	1/8W		
RD09			RK73EB2B681J	CHIP R	680	J	1/8W		
RD10			RK73EB2B821J	CHIP R	820	J	1/8W		
RD11			RK73EB2B102J	CHIP R	1.0K	J	1/8W		
RD12			RK73EB2B152J	CHIP R	1.5K	J	1/8W		
RD13			RK73EB2B222J	CHIP R	2.2K	J	1/8W		
RD15			RK73EB2B392J	CHIP R	3.9K	J	1/8W		
RD16			RK73EB2B562J	CHIP R	5.6K	J	1/8W		
RD17			RK73EB2B103J	CHIP R	10K	J	1/8W		
RD18			RK73EB2B183J	CHIP R	18K	J	1/8W		
RT24			RK73EB2B563J	CHIP R	56K	J	1/8W	ETE2	

L : Scandinavia K : USA P : Canada R : Mexico C : China I : Malaysia

Y : PX(Far East,Hawaii) T : England E : Europe G : Germany V : China(Shanghai)

Y : AAFES(Europe) X : Australia Q : Russia H : Korea M : Other Areas Δ indicates safety critical components.

* New Parts

Parts without **Parts No.** are not supplied.Les articles non mentionnés dans le **Parts No.** ne sont pas fournis.Teile ohne **Parts No.** werden nicht geliefert.

Ref. No	Add-ress	New Parts	Parts No.	Description	Quantity	Unit	Dimensions	Desti-nation	Re-marks
RT25			RK73EB2B103J	CHIP R	10K	J	1/8W	ETE2	
RT26			RK73EB2B563J	CHIP R	56K	J	1/8W	ETE2	
VR701		*	R32-0106-08	VR(JOG)	QSW-Z0013AWZZ				
RL801		*	S76-0124-08	MAGNETIC RELAY	RRLYD0012AWZZ				
RL901		*	S76-0125-08	MAGNETIC RELAY	RRLYD0014AWZZ				
SW1		*	S68-0139-08	PUSH SWITCH	SWMPU10780MLB				
SW2 ,3		*	S68-0140-08	PUSH SWITCH	SWMPU11470MLB				
SW4		*	S68-0138-08	PUSH SWITCH	QSWF9001AW01				
SW601		*	S62-0086-08	SWITCH	QSW-S0024AWZZ			MXM3M5	
SW701-721		*	S70-0091-08	TACT SWITCH	SWICH1401AT				
SW801		*	QSOCE0008AWZZ	AC VOLTAGE SW	QSOCE0008AWZZ			MXM3M5	
D1 ,2			1SS133	DIODE	VHDDS1SS133-1				
D301-304			1SS133	DIODE	VHDDS1SS133-1T				
D305			1SS133	DIODE	VHDDS1SS133-1T			MXM3M5	
D513-516			1SS133	DIODE	VHDDS1SS133-1T				
D700			1SS133	DIODE	VHDDS1SS133-1T			M3M5	7
D701			1SS133	DIODE	VHDDS1SS133-1T			MX	7
D701,702			1SS133	DIODE	VHDDS1SS133-1T			M3M5	6
D702,703			1SS133	DIODE	VHDDS1SS133-1T			MX	6
D703			1SS133	DIODE	VHDDS1SS133-1T			ETE2	6
D706-711			1SS133	DIODE	VHDDS1SS133-1T				
D717,718			1SS133	DIODE	VHDDS1SS133-1T				
D801			1SS133	DIODE	VHDDS1SS133-1T				
D802-805			1N4004S	DIODE	VHDDS1N404S-1T				
D806-808			1SS133	DIODE	VHDDS1SS133-1T				
D809		*	D3SBA60F	DIODE	VHDD3SBA60F-1				12345
D809		*	TS6B04GM	DIODE	VHDT56B04GM-1				67
D810		*	D10XB60F	DIODE	VHDD10XB60F-1				67
D810		*	TS6B04GM	DIODE	VHDT56B04GM-1				12345
D811-816			1N4004S	DIODE	VHDDS1N404S-1T				
D818			1N4004S	DIODE	VHDDS1N404S-1T				
D850,851			1SS133	DIODE	VHDDS1SS133-1T				
D861,862			1SS133	DIODE	VHDDS1SS133-1T				
D901,902			1N4004S	DIODE	VHDDS1N404S-1T				
D907-909			1SS133	DIODE	VHDDS1SS133-1T				
D911-913			1SS133	DIODE	VHDDS1SS133-1T				
IC1		*	LC78645E	MI-COM IC	VHILC78645E-1				
IC2		*	M63001FP	MOS-IC	VHIM63001FP-1				
ICT21			LC72723M	IC/RDS DEMODULATOR	ICJ2723/-1			ETE2	
IC101			AN7345K	MOS-IC	VHIAN7345K/-1				
IC301			TA7358AP	ANALOGUE IC	VHITA7358AP-1			MXM3M5	
IC302			LC72131	MOS-IC	VHILC72131/-1				
IC303		*	LA1832S	MOS-IC	VHILA1832S/-1				
IC561 ,562			KIA4558P	ANALOGUE IC	VHIIA4558P-1				
IC601		*	LC75341	MOS-IC	VHILC75341/-1				
IC700		*	IX0450	MI-COM IC	RH-IX0450AWZZMXM3M5				
IC700		*	IX0451	MI-COM IC	RH-IX0451AWZZ			ETE2	
IC860			KIA4558P	ANALOGUE IC	VHIIA4558P-1				
IC901		*	STK41203	IC	VHISTK41203-1				67
IC901		*	STK4121J	IC	VHISTK4121J-1				12345
Q1			KTA1266GR	TRANSISTOT	VSKTA1266GR-1T				
Q2			KTC3203Y	TRANSISTOR	VSKTC3203Y/-1T				
Q3			KRC102M	TRANSISTOR	VSKRC102M/-1T				
Q103-106			2SC1845F	TRANSISTOR	VS2SC1845F/-1T				
Q107,108			KTC3199GR	TRANSISTOR	VSKTC3199GR-1T				

L : Scandinavia K : USA P : Canada R : Mexico C : China I : Malaysia

Y : PX(Far East,Hawaii) T : England E : Europe G : Germany V : China(Shanghai)

Y : AAFES(Europe) X : Australia Q : Russia H : Korea M : Other Areas Δ indicates safety critical components.

* New Parts

Parts without **Parts No.** are not supplied.Les articles non mentionnés dans le **Parts No.** ne sont pas fournis.Teile ohne **Parts No.** werden nicht geliefert.

Ref. No	Add-ress	New Parts	Parts No.	Description	Desti-nation	Re-marks
Q109			KTA1266GR	TRANSISTOT	VSKTA1266GR-1T	
Q110,111			KRC104M	TRANSISTOR	VSKRC104M//-1T	
Q121,122			KTC3199GR	TRANSISTOR	VSKTC3199GR-1T	
Q124			2SA1015GR	TRANSISTOR	VS2SA1015GR-1T	
Q126			KRC104M	TRANSISTOR	VSKRC104M//-1T	
Q128			KTC3203Y	TRANSISTOR	VSKTC3203Y//-1T	
Q301		*	VS2SC38C-0/-1T	TRANSISTOR	VS2SC38C-0/-1T	ETE2
Q302		*	KTC3194Y	TRANSISTOR	VSKTC3194Y//-1T	MXM3M5
Q360			KTA1266GR	TRANSISTOT	VSKTA1266GR-1T	
Q603-606			KTC3199GR	TRANSISTOR	VSKTC3199GR-1T	
Q700			KRC102M	TRANSISTOR	VSKRC102M//-1T	
Q703			KTA1273Y	TRANSISTOR	VSKTA1273Y//-1T	
Q704,705			KTA1271Y	TRANSISTOR	VSKTA1271Y//-1T	
Q706-708			KTC3199GR	TRANSISTOR	VSKTC3199GR-1T	
Q709			KRC102M	TRANSISTOT	VSKRC102M//-1T	
Q801			AN78L05	IC(VOLTAGE REGULATOR/ +5V)-1T		
Q802			KTC3199GR	TRANSISTOR	VSKTC3199GR-1T	
Q803			KTA1274Y	TRANSISTOR	VSKTA1274Y//-1T	
Q850			KTC2026	TRANSISTOR	VSKTC2026//-1	
Q851		*	KIA7810AP	IC	VHIIA7810AP1	
Q852		*	KIA7805AP	MOS-IC	VHIIA7805AP1	
Q862,863			KTC3199GR	TRANSISTOR	VSKTC3199GR-1T	
Q864			KRC102M	TRANSISTOT	VSKRC102M//-1T	
Q865			KTC3199GR	TRANSISTOR	VSKTC3199GR-1T	
Q901-904			KTC3199GR	TRANSISTOR	VSKTC3199GR-1T	
Q905			KRC107M	TRANSISTOR	VSKRC107M//-1T	
Q907			KTC3203Y	TRANSISTOR	VSKTC3203Y//-1T	
QT21			KTC3199GR	TRANSISTOR	VSKTC3199GR-1T	
ZD1		*	DZ3R3BSB	ZENER DIODE	VHEDZ3R3BSB-1T	
ZD2		*	DZ3R9BSB	ZENER DIODE	VHEDZ3R9BSB-1T	
ZDT21		*	DZ5R1BSB	ZENER DIODE	VHEDZ5R1BSB-1T	ETE2
ZD351		*	DZ5R1BSB	ZENER DIODE	VHEDZ5R1BSB-1T	
ZD561		*	DZ6R2BSC	ZENER DIODE	VHEDZ6R2BSC-1T	
ZD801		*	DZ330BSC	ZENER DIODE	VHEDZ330BSC-1T	
ZD802		*	DZ6R2BSA	ZENER DIODE	VHEDZ6R2BSA-1T	
ZD803		*	DZ4R3BSC	ZENER DIODE	VHEDZ4R3BSC-1T	
ZD804		*	DZ110BSB	ZENER DIODE	VHEDZ110BSB-1T	
ZD851		*	DZ2R4BSB	ZENER DIODE	VHEDZ2R4BSB-1T	
ZD901,902		*	DZ120BSB	ZENER DIODE	VHEDZ120BSB-1T	
ZD951		*	DZ130BSB	ZENER DIODE	VHEDZ130BSB-1T	
FE301		*	W02-2876-08	TUNER PACK	RTUNS0012AWZZ	ETE2
RX701			W02-2689-08	OPTICAL MODULE	VHNL63H380A-1	
1	2A		D13-1869-08	GEAR	NGERH0011AWZZ	
2	2A		D13-1870-08	GEAR	NGERH0012AWZZ	
5	2A	*	G13-2515-08	GUSHION	MCUSN1524A	
6	2A	*	T25-0115-08	OPTICAL PICKUP	HPC1LXASY	
24	1A	*	D02-0145-08	TURNTABLE	PT0331105	
32	2B	*	D16-0776-08	BELT	BE231616	
34	3B	*	J39-1037-08	SPACER	EVA0330702	
35	1A	*	T99-0656-08	MAGNET	MAG0104302	
38	2A	*	J39-1036-08	SPACER	NM0305401	
39	2A,3A	*	D14-0818-08	ROLLER	PT0303002	
40	3B	*	D10-5013-08	LEVER(STOP)	PT0304303	
41	2A	*	D32-0370-08	STOPPER	PT0304304	
42	3B	*	D10-5012-08	LEVER(LOCK)	PT0304305	

L : Scandinavia K : USA P : Canada R : Mexico C : China I : Malaysia
 Y : PX(Far East,Hawaii) T : England E : Europe G : Germany V : China(Shanghai)
 Y : AAFES(Europe) X : Australia Q : Russia H : Korea M : Other Areas indicates safety critical components.

* New Parts

Parts without **Parts No.** are not supplied.Les articles non mentionnés dans le **Parts No.** ne sont pas fournis.Teile ohne **Parts No.** werden nicht geliefert.

Ref. No	Add-ress	New Parts	Parts No.	Description	Desti-nation	Re-marks
43	1A	*	J19-6229-08	STABILIZER	PT0304306	
45	2A	*	D19-0329-08	PIN(LOCK)	PT0304308	
46	2B	*	F09-0162-08	CAP	PT0304309	
47	2A	*	D13-2565-08	GEAR	PT0305413	
48	2A	*	D13-2559-08	GEAR	PT0309506	
49	2A	*	D13-2561-08	GEAR	PT0309507	
50	2A	*	D13-2563-08	GEAR	PT0309508	
51	2A	*	D13-2560-08	GEAR	PT0309509	
52	2B	*	D15-0445-08	PULLEY(GEAR)	PT0309510	
53	2A	*	D13-2562-08	GEAR	PT0309511	
54	2B	*	D10-5014-08	LEVER(CLAMP)	PT0311101	
55	2A	*	D10-5015-08	LEVER(DISC)	PT0311102	
56	2A	*	D13-2564-08	GEAR(CAM)	PT0312005	
57	1A	*	J19-6227-08	HOLDER	PT0320201	
60	3A	*	J99-0834-08	TRAY(SLIDE)	PT0331003	
62	2A	*	G01-4278-08	SPRING(STOP)	SP0304303	
63	3B	*	G01-4277-08	SPRING(LOCK)	SP0304305	
64	2A	*	G01-4279-08	SPRING	SP0304306	
66	1A	*	D19-0330-08	METAL PLATE	MT0304302	
AL	2A	*	N09-5335-08	MACHINE SCREW	LX-BZ222AXZZ	
AM	3A	*	N09-5332-08	MACHINE SCREW	SC0308MBZI	
AR	2A	*	N19-1526-08	FLAT WASHER	LX-WZ1070AFZZ	
DM	2A	*	D40-1738-08	MOTOR ASSY	MMTR2790A	
FM	2A	*	T42-1114-08	MOTOR ASSY	MMTR1854A	
M3	2B	*	T41-0140-08	MOTOR ASSY	TWMEN7E6Y	

L : Scandinavia K : USA P : Canada R : Mexico C : China I : Malaysia
 Y : PX(Far East,Hawaii) T : England E : Europe G : Germany V : China(Shanghai)
 Y : AAFES(Europe) X : Australia Q : Russia H : Korea M : Other Areas indicates safety critical components.

PARTS LIST

RXD-655/755